

Dell™ PowerEdge™
2900 Systems
Information Update



Notes, Notices, and Cautions



NOTE: A NOTE indicates important information that helps you make better use of your computer.



NOTICE: A NOTICE indicates either potential damage to hardware or loss of data and tells you how to avoid the problem.



CAUTION: A CAUTION indicates a potential for property damage, personal injury, or death.

Information in this document is subject to change without notice.

© 2006–2009 Dell Inc. All rights reserved.

Reproduction of these materials in any manner whatsoever without the written permission of Dell Inc. is strictly forbidden.

Trademarks used in this text: *Dell*, the *DELL* logo, and *PowerEdge* are trademarks of Dell Inc.; *Intel* and *Xeon* are registered trademarks of Intel Corporation; *Microsoft*, *Windows*, and *Windows Server* are either trademarks or registered trademarks of Microsoft Corporation in the United States and/or other countries; *Red Hat* and *Red Hat Enterprise Linux* are registered trademarks of Red Hat, Inc.; *SUSE* is a registered trademark of Novell Inc.

Other trademarks and trade names may be used in this document to refer to either the entities claiming the marks and names or their products. Dell Inc. disclaims any proprietary interest in trademarks and trade names other than its own.

Contents

PowerEdge 2900 III – New System Features	5
New Performance Features	5
New I/O and Storage Features	5
New Security Features	5
Optional Internal USB Memory Key	6
Installing the Optional Internal USB Memory Key	7
Processor Upgrades – PowerEdge 2900 II and PowerEdge 2900 III Systems	9
System Board Replacement – Safeguarding Encrypted Data	9
System Message Update	10
LCD Status Messages Update	14
System Setup Program Update	19
Memory Screen	19
CPU Information Screen	20
Integrated Devices Screen	20
System Security Screen	21
Serial Communication Screen	22

Operating System Information	22
Enumeration of NICs	22
SATA Optical Drive Support on RHEL3 and SLES9	23
RHEL – Incorrect Processor Information	23
System Support for Microsoft Windows 2000	23
Hardware Owner’s Manual Updates	24
Installing the Processor.	24
System Diagnostics Custom Test Options	24
System Board Replacement Update (Service-Only Procedure)	24

This document provides updated information for your system on the following topics:

- New system features for PowerEdge™ 2900 III systems
- Internal USB memory key for PowerEdge 2900 III systems
- Processor upgrades for PowerEdge 2900 II and PowerEdge 2900 III systems
- System board replacement – safeguarding encrypted data
- System message update for PowerEdge 2900 III system
- LCD status message update for PowerEdge 2900 III systems
- System Setup program update for PowerEdge 2900 III systems
- Operating system information
- *Hardware Owner's Manual* updates
- System board replacement (service-only procedure)

PowerEdge 2900 III – New System Features

New Performance Features

- Two dual-core or quad-core Intel® Xeon® processors.

New I/O and Storage Features

- Optional Intel quad-port Gigabit Ethernet NIC, capable of supporting 10-Mbps, 100-Mbps, and 1000-Mbps data rates, and iSCSI remote boot.
- Support for 10 Gb Ethernet cards.
- One internal USB 2.0-compliant connector supporting an optional bootable USB flash drive or USB memory key.
- Support for optional SAS 6i/R and PERC 6/i adapters.

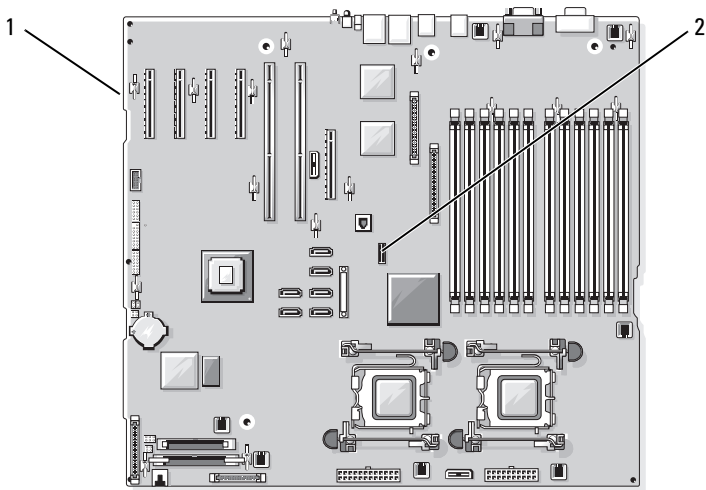
New Security Features

- Trusted Program Module (TPM) support for improved security.
- Optional support for iSCSI boot.

Optional Internal USB Memory Key

The PowerEdge 2900 III system provides an internal USB connector located on the system board for use with a USB flash memory key (see Figure 1-1). The USB memory key can be used as a boot device, security key, or mass storage device. To use the internal USB connector, the **Internal USB Port** option must be enabled in the **Integrated Devices** screen of the System Setup program. See "Integrated Devices Screen" on page 20.

Figure 1-1. Internal USB Connector Location



1 system board

2 internal USB connector location

To boot from the USB memory key, you must configure the USB memory key with a boot image and then specify the USB memory key in the boot sequence in the System Setup program. See “Using the System Setup Program” in the *Hardware Owner’s Manual*. For information on creating a bootable file on the USB memory key, see the user documentation that accompanied the USB memory key.



NOTE: USB keys that contain multiple LUNs (Logical Unit Numbers) must be formatted using the format utility provided by the key manufacturer.



NOTICE: To avoid interference with components inside the system, the USB key must conform to the following maximum dimensions: 12.7mm thick (0.5”) x 30.48mm width (1.2”) x 71.12mm length (2.8”).

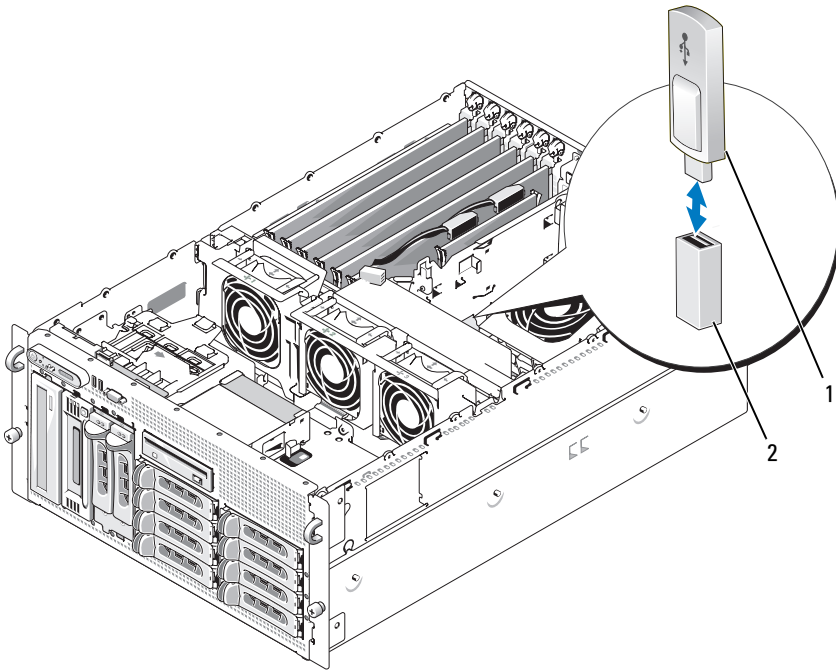
Installing the Optional Internal USB Memory Key



CAUTION: Only trained service technicians are authorized to remove the system cover and access any of the components inside the system. See your *Product Information Guide* for complete information about safety precautions, working inside the computer, and protecting against electrostatic discharge.

- 1 Turn off the system, including any attached peripherals, and disconnect the system from its electrical outlet.
- 2 Open the system. See “Opening the System” in the *Hardware Owner’s Manual*.
- 3 Locate the USB connector on the system board, and insert the USB memory key into the USB connector. See Figure 1-2.

Figure 1-2. Installing an Internal USB Key



1 USB memory key 2 internal USB connector

- 4 Close the system. See “Closing the System” in the *Hardware Owner’s Manual*.
- 5 Reconnect the system to power and restart the system.
- 6 Enter the System Setup program and verify that the USB key has been detected by the system. See “Using the System Setup Program” in the *Hardware Owner’s Manual*.

Processor Upgrades – PowerEdge 2900 II and PowerEdge 2900 III Systems

- If the front of your system chassis is labeled with a “II”, your system is upgradeable to the 5100 series of dual-core Intel Xeon processors and the 5300 series of quad-core Intel Xeon processors.
- If the front of your system chassis is labeled with a “III”, your system is upgradeable to the 5100 and 5200 series of dual-core Intel Xeon processors and the 5300 and 5400 series of quad-core Intel Xeon processors.

See support.dell.com for information on the latest processor upgrade options for your system.

System Board Replacement – Safeguarding Encrypted Data

On PowerEdge 2900 III systems using Windows Server® 2008, you can use encryption programs, such as the BitLocker utility, to secure the contents of the hard drive.

If you are using the TPM with an encryption program, you are prompted to create a recovery key during system setup. Be sure to store this recovery key. If you replace the system board, you must supply the recovery key when you restart your system before you can access the encrypted files on your hard drive(s).

System Message Update

Table 1-1 lists new system messages for the PowerEdge 2900 III system and the probable cause and corrective action if the message appears.


 **CAUTION: Only trained service technicians are authorized to remove the system cover and access any of the components inside the system. See your *Product Information Guide* for complete information about safety precautions, working inside the computer, and protecting against electrostatic discharge**

Table 1-1. System Messages

Message	Causes	Corrective Actions
Alert! Node Interleaving disabled! Memory configuration does not support Node Interleaving.	The memory configuration does not support node interleaving, or the configuration has changed (for example, a failed DIMM) so that node interleaving cannot be supported. The system runs but with reduced functionality.	Ensure that the memory modules are installed in a configuration that supports node interleaving. Check other system messages for additional information for possible causes. For memory configuration information, see “General Memory Module Installation Guidelines” in the <i>Hardware Owner’s Manual</i> . If the problem persists, see “Troubleshooting System Memory” in the <i>Hardware Owner’s Manual</i> .
!!*** Error: Remote Access Controller initialization failure *** RAC virtual USB devices may not be available...	Remote Access Controller initialization failure	Ensure that the Remote Access Controller is properly installed. See “Installing a RAC Card” in the <i>Hardware Owner’s Manual</i> .
Invalid PCIe card found in the Internal_Storage slot!	The system halted because an invalid PCIe expansion card is installed in the dedicated storage controller slot.	Remove the PCIe expansion card and install the internal SAS controller in the dedicated slot.

Table 1-1. System Messages (continued)

Message	Causes	Corrective Actions
No boot device available	Faulty or missing optical drive subsystem, hard drive, or hard-drive subsystem, or no bootable USB key installed.	Use a bootable USB key, CD, or hard drive. See “Using the System Setup Program” in the <i>Hardware Owner’s Manual</i> for information on setting the order of boot devices.
PCI BIOS failed to install	PCIe device BIOS (Option ROM) checksum failure detected during shadowing. Cables to expansion card(s) loose; faulty or improperly installed expansion card(s).	Reseat the expansion card(s). Ensure that all appropriate cables are securely connected to the expansion card(s). If the problem persists, see “Troubleshooting System Expansion Cards” in the <i>Hardware Owner’s Manual</i> .
PCIe Degraded Link Width Error: Embedded device Expected Link Width is <i>n</i> Actual Link Width is <i>n</i>	Faulty system board or riser board.	See “Getting Help” in the <i>Hardware Owner’s Manual</i> .
PCIe Degraded Link Width Error: Integrated device Expected Link Width is <i>n</i> Actual Link Width is <i>n</i>	The specified PCIe device is faulty or improperly installed.	For a SAS controller daughter card, reseat the card in the dedicated PCIe connector. See “Installing a SAS Controller Daughter Card” in the <i>Hardware Owner’s Manual</i> . If the problem persists, see “Getting Help” in the <i>Hardware Owner’s Manual</i> .

Table 1-1. System Messages (continued)

Message	Causes	Corrective Actions
PCIe Degraded Link Width Error: Slot <i>n</i> Expected Link Width is <i>n</i> Actual Link Width is <i>n</i>	Faulty or improperly installed PCIe card in the specified slot.	Reseat the PCIe card in the specified slot number. See “Expansion Cards” in the <i>Hardware Owner’s Manual</i> . If the problem persists, see “Getting Help” in the <i>Hardware Owner’s Manual</i> .
PCIe Training Error: Embedded device	Faulty system board or riser board.	See “Getting Help” in the <i>Hardware Owner’s Manual</i> .
PCIe Training Error: Integrated device	The specified PCIe device is faulty or improperly installed.	For a SAS controller daughter card, reseat the card in the dedicated PCIe connector. See “Installing a SAS Controller Daughter Card” in the <i>Hardware Owner’s Manual</i> . If the problem persists, see “Getting Help” in the <i>Hardware Owner’s Manual</i> .
PCIe Training Error: Slot <i>n</i>	Faulty or improperly installed PCIe card in the specified slot.	Reseat the PCIe card in the specified slot number. See “Expansion Cards” in the <i>Hardware Owner’s Manual</i> . If the problem persists, see “Getting Help” in the <i>Hardware Owner’s Manual</i> .
Remote Access Controller cable error or incorrect card in the RAC slot.	RAC cables not connected, or RAC card installed in wrong expansion slot.	Check that the RAC cables are connected, and that the RAC card is installed in the correct expansion slot. See “Installing a RAC Card” in the <i>Hardware Owner’s Manual</i> .

NOTE: All TPM information messages appear after the BMC option ROM has been loaded during POST.

Table 1-1. System Messages (continued)

Message	Causes	Corrective Actions
TPM configuration operation honored.	System now resets.	Information only.
TPM Failure	A Trusted Platform Module (TPM) function has failed.	See “Getting Help” in the <i>Hardware Owner’s Manual</i> .
TPM operation is pending. Press I to Ignore or M to Modify to allow this change and reset the system. WARNING: Modifying could prevent security.	Configuration change has been requested.	Press I to continue system boot. Press M to modify the TPM setting and restart.
Warning: Following faulty DIMMs are disabled: DIMM n_1 n_2 Total memory size is reduced.	Faulty or improperly seated memory module(s). DIMMs are disabled in pairs, as indicated by the n_1 and n_2 . Check both DIMMs for a possible fault.	See “Troubleshooting System Memory” in the <i>Hardware Owner’s Manual</i> .
Warning: A fatal error has caused system reset! Please check the system event log!	A fatal system error occurred and caused the system to restart.	Check the SEL for information that was logged during the error. See the applicable troubleshooting section in See “Troubleshooting Your System” in the <i>Hardware Owner’s Manual</i> . for any faulty components specified in the SEL.
Warning! No micro code update loaded for processor n	Micro code update failed.	Update the BIOS firmware. See “Getting Help” in the <i>Hardware Owner’s Manual</i> .

Table 1-1. System Messages (continued)

Message	Causes	Corrective Actions
Warning: The installed memory configuration is not optimal. For more information on valid memory configurations, please see the system documentation on the technical support web site.	Invalid memory configuration. The system runs but with reduced functionality.	Ensure that the memory modules are installed in a valid configuration. See “General Memory Module Installation Guidelines” in the <i>Hardware Owner’s Manual</i> . If the problem persists, see “Troubleshooting System Memory” in the <i>Hardware Owner’s Manual</i> .
Write fault Write fault on selected drive	Faulty USB device, USB medium, optical drive assembly, hard drive, or hard-drive subsystem.	Replace the faulty media. Reseat the USB device or USB cable. For hard drive problems, see “Troubleshooting a Hard Drive” in the <i>Hardware Owner’s Manual</i> .

LCD Status Messages Update

Table 1-2 lists updates to the LCD status messages that can occur on the PowerEdge 2900 III system and the probable cause for each message. The LCD messages refer to events recorded in the system event log (SEL). For information on the SEL and configuring system management settings, see your systems management software documentation.

Table 1-2. LCD Status Messages

Code	Text	Causes	Corrective Actions
<i>N/A</i>	<i>SYSTEM NAME</i>	<p>A 62-character string that can be defined by the user in the System Setup program.</p> <p>The <i>SYSTEM NAME</i> displays under the following conditions:</p> <ul style="list-style-type: none">• The system is powered on.• The power is off and active errors are displayed.	<p>This message is for information only.</p> <p>You can change the system ID and name in the System Setup program. See “Using the System Setup Program” in the <i>Hardware Owner’s Manual</i>.</p>
E1000	FAILSAFE, Call Support	Check the system event log for critical failure events.	See “Getting Help” in the <i>Hardware Owner’s Manual</i> .
E1118	CPU Temp Interface	The BMC is unable to determine the CPU(s) temperature status. Consequently, the BMC increases the CPU fan speed to maximum as a precautionary measure.	Turn off power to the system and restart the system. If the problem persists, see “Getting Help” in the <i>Hardware Owner’s Manual</i> .
E1211	ROMB Batt	RAID battery is either missing, bad, or unable to recharge due to thermal issues.	Reseat the RAID battery connector. See the “RAID Battery” and see “Troubleshooting System Cooling Problems” in the <i>Hardware Owner’s Manual</i> .
E1625	PS AC Current	Power source is out of acceptable range.	Check the AC power source.

Table 1-2. LCD Status Messages (continued)

Code	Text	Causes	Corrective Actions
E1711	PCI PERR B## D## F##	The system BIOS has reported a PCI parity error on a component that resides in PCI configuration space at bus ##, device ##, function ##.	Remove and reseat the PCIe expansion cards. If the problem persists, see “Troubleshooting an Expansion Card” in the <i>Hardware Owner’s Manual</i> .
	PCI PERR Slot #	The system BIOS has reported a PCI parity error on a component that resides in the specified PCIe slot.	Reinstall the expansion-card riser. See “Expansion Card Risers” in the <i>Hardware Owner’s Manual</i> . If the problem persists, the riser card or system board is faulty. See “Getting Help” in the <i>Hardware Owner’s Manual</i> .
E1712	PCI SERR B## D## F##	The system BIOS has reported a PCI system error on a component that resides in PCI configuration space at bus ##, device ##, function ##.	Remove and reseat the PCIe expansion cards. If the problem persists, see “Troubleshooting Expansion Cards” in the <i>Hardware Owner’s Manual</i> .
	PCI SERR Slot #	The system BIOS has reported a PCI system error on a component that resides in the specified slot.	Reinstall the expansion-card riser. See “Expansion Card Risers” in the <i>Hardware Owner’s Manual</i> . If the problem persists, the riser card or system board is faulty. See “Getting Help” in the <i>Hardware Owner’s Manual</i> .

Table 1-2. LCD Status Messages (continued)

Code	Text	Causes	Corrective Actions
E171F	PCIE Fatal Err B## D## F##	The system BIOS has reported a PCIe fatal error on a component that resides in PCIe configuration space at bus ##, device ##, function ##.	Remove and reseat the PCIe expansion cards. If the problem persists, see “Troubleshooting Expansion Cards” in the <i>Hardware Owner’s Manual</i> .
	PCIE Fatal Err Slot #	The system BIOS has reported a PCIe fatal error on a component that resides in the specified slot.	Reinstall the expansion-card riser. See “Expansion Card Risers” in the <i>Hardware Owner’s Manual</i> . If the problem persists, the riser card or system board is faulty. See “Getting Help” in the <i>Hardware Owner’s Manual</i> .
E1914	DRAC5 Conn2 Cb1	DRAC 5 cable is missing or disconnected.	Reconnect the cable. See “Installing a RAC Card” in the <i>Hardware Owner’s Manual</i> .
E1B01	USB# Overcurrent	Device plugged in the specified USB port caused an overcurrent condition.	Reseat the device cable. If the problem persists, replace or remove the device.
E2110	MBE DIMM # & #	One of the two indicated DIMMs has had a memory multi-bit error (MBE).	See “Troubleshooting System Memory” in the <i>Hardware Owner’s Manual</i> .

Table 1-2. LCD Status Messages (continued)

Code	Text	Causes	Corrective Actions
E2111	SBE Log Disable DIMM #	The system BIOS has disabled memory single-bit error (SBE) logging, and does not resume logging further SBEs until the system is restarted. “#” represents the DIMM implicated by the BIOS.	See “Troubleshooting System Memory” in the <i>Hardware Owner’s Manual</i> .
E2112	Mem Spare DIMM #	The system BIOS has spared the memory because it has determined that the memory had too many errors. “# & #” represents the DIMM pair implicated by the BIOS.	See “Troubleshooting System Memory” in the <i>Hardware Owner’s Manual</i> .
I1915	Video Off (LCD lights with a blue or amber background.)	The video is turned off by the RAC remote user.	Information only.
I1916	Video Off in ## (LCD lights with a blue or amber background.)	The video is turned off in xx seconds by the RAC remote user.	Information only.



NOTE: Each diagnostic LCD message is assigned a priority. The highest priority messages supersede any group of messages with a lower priority.

System Setup Program Update

Memory Screen

Table 1-3 lists the descriptions for the information fields that appear on the **Memory Information** screen.

Table 1-3. Memory Information Screen Options

Option	Description
System Memory Size	Displays the amount of system memory.
System Memory Type	Displays the type of system memory.
System Memory Speed	Displays the system memory speed.
Video Memory	Displays the amount of video memory.
System Memory Testing	Specifies whether system memory tests are run at system boot. Options are Enabled and Disabled .
Redundant Memory (Disabled default)	Enables or disables the redundant memory feature. When set to Spare Mode , the first rank of memory on each DIMM is reserved for memory sparing. Redundant memory feature is disabled if the Node Interleaving field is enabled.
Node Interleaving (Disabled default)	If this field is set to Enabled , memory interleaving is supported if a symmetric memory configuration is installed. If this field is set to Disabled , the system can support Non-Uniform Memory architecture (NUMA) (asymmetric) memory configurations. NOTE: The Node Interleaving field must be set to Disabled when using the redundant memory feature.
Low Power Mode (Disabled default)	Enables or disables the low power mode of the memory. When set to Disabled , the memory runs at full speed. When set to Enabled , the memory runs at a reduced speed to conserve energy.

CPU Information Screen

Table 1-4 updates the description for the Demand-Based Power Management option.

Table 1-4. CPU Information Screen

Option	Description
Demand-Based Power Management (Enabled default)	NOTE: Check your operating system documentation to verify if the operating system supports this feature. Enables or disables demand-based power management. When enabled, the CPU Performance State tables are reported to the operating system; when disabled, the CPU Performance State tables are not reported to the operating system. If any of the CPUs do not support demand-based power management, the field becomes read-only, and is automatically set to Disabled .

Integrated Devices Screen

Table 1-5 lists new Integrated Devices screen options.

Table 1-5. Integrated Devices Screen Options

Option	Description
Internal USB Port (On default)	Enables or disables the system's internal USB port.
OS Watchdog Timer (Disabled default)	NOTE: This feature is usable only with operating systems that support WDAT implementations of the Advanced Configuration and Power Interface (ACPI) 3.0b specification. Microsoft® Windows Server® 2008 supports this feature, but Windows Server 2003 does not. Sets a timer that monitors the operating system for activity and aids in recovery if the system stops responding. When this field is set to Enabled , the operating system is allowed to initialize the timer. When set to Disabled , the timer is not initialized.
I/OAT DMA Engine (Disabled default)	Enables or disables the I/O Acceleration Technology (I/OAT) option. When set to Enabled , I/OAT reduces system CPU usage for applications that use TCP by offloading part of TCP receive operation to the DMA engine.

Table 1-5. Integrated Devices Screen Options (continued)

Option	Description
System Interrupts Assignment (Standard default)	This field controls the interrupt assignment for PCI devices in the system. When set to Distributed , interrupt routing is swizzled to minimize IRQ sharing among devices.

System Security Screen

Table 1-6 lists new options for the PowerEdge 2900 III system.



NOTE: Systems that are shipping in China are not equipped with TPM.




NOTICE: Before enabling the **TPM Security** option, ensure that the operating system supports TPM.

Table 1-6. New System Security Screen Options

Option	Description
TPM Security (Off default)	Sets the reporting of the Trusted Platform Module (TPM) in the system. When set to Off (default), presence of the TPM is not reported to the operating system. When set to On with Pre-boot Measurements , the system reports the TPM to the operating system and stores the pre-boot measurements (compliant with Trusted Computing Group standards) to the TPM during POST. When set to On without Pre-boot Measurements , the system reports the TPM to the operating system and bypasses pre-boot measurements.
TPM Activation	Changes the operational state of the TPM. When set to Activate , the TPM is enabled and activated at default settings. When set to Deactivate , the TPM is disabled and deactivated. The No Change state initiates no action. The operational state of the TPM remains unchanged (all user settings for the TPM are preserved). NOTE: This field is read-only when TPM Security is set to Off .

Table 1-6. New System Security Screen Options (continued)

Option	Description
TPM Clear (No default)	 NOTICE: Clearing the TPM causes loss of all encryption keys in the TPM. This prevents booting to the operating system and results in loss of data if the encryption keys cannot be restored. Be sure to back up the TPM keys prior to enabling this option. When set to Yes , all the contents of the TPM are cleared. NOTE: This field is read-only when TPM Security is set to Off .

Serial Communication Screen

Table 1-7 lists the updated information on the default Failsafe Baud Rate.

Table 1-7. Serial Communication Screen Option

Option	Description
Failsafe Baud Rate (115200 default)	Displays the failsafe baud rate used for console redirection when the baud rate cannot be negotiated automatically with the remote terminal. This rate should not be adjusted.

Operating System Information

Enumeration of NICs

Linux operating system versions that use the **udev** kernel device manager enumerate the NICs differently than earlier Linux versions that used the **devfs** device manager. Although this does not affect system functionality, when using Red Hat® Enterprise Linux® (version 4 or version 5) or SUSE® Linux Enterprise Server 9 or 10 operating systems, the NICs are enumerated in reverse: NIC1 is configured as **eth1** instead of **eth0**, and NIC2 is configured as **eth0** instead of **eth1**. For information on how to change the default device enumerations, see the “Network Interface Card Naming” white paper available at linux.dell.com.

SATA Optical Drive Support on RHEL3 and SLES9

SATA optical drives are supported on RHEL 3 Update 8 and SLES 9 SP4. Older releases of these operating systems do not support SATA optical drives.

RHEL – Incorrect Processor Information

- If an Intel Xeon 54xx processor is installed in a system running RHEL Version 4 Update 5 and Demand-Based Switching is enabled in the BIOS, `cat/proc/cpuinfo` and `cat/sys/devices/system/cpu/cpuXX/cpufreq/scaling_cur_freq` displays an incorrect processor frequency. (The actual processor speed is not affected.)
- If an Intel Xeon 54xx processor is installed in a system running RHEL Version 3 Update 9, incorrect processor information is displayed in `/proc/cpuinfo`. (The actual processor speed is not affected.)

This behavior will be corrected in a future RHEL 4 Update.

System Support for Microsoft Windows 2000

If you run the *System Build and Update Utility*, Microsoft® Windows® 2000 is included in the list of operating systems on the **Server OS Install** tab. This operating system is supported by the PowerEdge 2900 and 2900 II systems, but not by the PowerEdge 2900 III system.

Hardware Owner's Manual/Updates


Installing the Processor

When installing the processor, the processor shield must be closed before securing the processor with the socket release lever.

System Diagnostics Custom Test Options

In the **Customize** window of the system diagnostics, the **Log output file pathname** option enables you to specify the diskette drive or USB memory key where the test log file is saved. You cannot save the file to a hard drive.

System Board Replacement Update (Service-Only Procedure)

 **CAUTION:** Only trained service technicians are authorized to remove the system cover and access any of the components inside the system. See your *Product Information Guide* for complete information about safety precautions, working inside the computer, and protecting against electrostatic discharge.

The procedure given in the *Hardware Owner's Manual* to replace the system board has been updated. When removing or installing the system board, lift or hold the system board by the retention pin and the system board handles (see Figure 1-3).


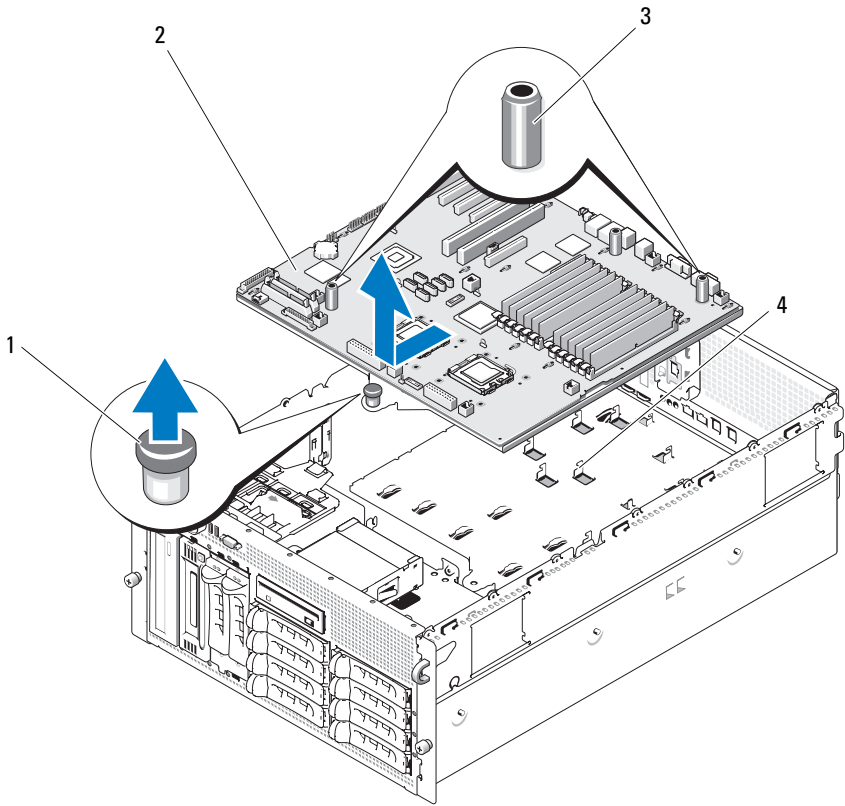
 **NOTICE:** To avoid damage to your system board, do not lift the system board by the memory module retention brackets or by any component on the system board except for the system board handles.

Figure 1-3. Removing the System Board



- 1 retention pin
- 2 system board
- 3 system board handles (2)
- 4 chassis hooks

Dell™ PowerEdge™ 2900 系统

信息更新



注、注意和警告



注：“注”表示可以帮助您更好地使用计算机的重要信息。



注意：“注意”表示可能会损坏硬件或导致数据丢失，并告诉您如何避免此类问题。



“警告”表示可能会导致财产损失、人身伤害甚至死亡。

本说明文件中的信息如有更改，恕不另行通知。

© 2006 - 2009 Dell Inc. 版权所有，翻印必究。

未经 Dell Inc. 书面许可，严禁以任何形式复制这些材料。

本文中使用的商标：*Dell*、*DELL* 徽标和 *PowerEdge* 是 Dell Inc. 的商标；*Intel* 和 *Xeon* 是 Intel Corporation 的注册商标；*Microsoft*、*Windows* 和 *Windows Server* 是 Microsoft Corporation 在美国和 / 或其它国家 / 地区的商标或注册商标；*Red Hat* 和 *Red Hat Enterprise Linux* 是 Red Hat, Inc. 的注册商标；*SUSE* 是 Novell Inc. 的注册商标。

本说明文件中提及的其它商标和产品名称是指拥有相应商标和产品名称的公司或其制造的产品。Dell Inc. 对本公司的商标和产品名称之外的其它商标和产品名称不拥有任何专有权。

目录

PowerEdge 2900 III – 全新系统功能	31
全新性能	31
全新 I/O 和存储功能	31
全新安全保护功能	31
可选的内部 USB 存储钥匙	32
安装可选的内部 USB 存储钥匙	33
处理器升级 – PowerEdge 2900 II 和 PowerEdge 2900 III 系统	35
系统板更换 – 保护加密数据	35
系统信息更新	35
LCD 状态信息更新	40
系统设置程序更新	43
内存屏幕	43
CPU Information (CPU 信息) 屏幕	44
Integrated Devices (集成设备) 屏幕	45
System Security (系统安全保护) 屏幕	46
串行通信屏幕	47

操作系统信息	47
枚举 NIC	47
RHEL3 和 SLES9 的 SATA 光盘驱动器支持	47
RHEL - 错误的处理器信息	47
Microsoft Windows 2000 的系统支持	48
《硬件用户手册》更新	48
安装处理器	48
系统诊断程序自定义检测选项	48
系统板更换更新（仅限于维修步骤）	48

本说明文件针对您的系统提供了有关以下主题的更新信息：

- PowerEdge™ 2900 III 系统的全新系统功能
- PowerEdge 2900 III 系统的内部 USB 存储钥匙
- PowerEdge 2900 II 和 PowerEdge 2900 III 系统的处理器升级
- 系统板更换 - 保护加密数据
- PowerEdge 2900 III 系统的系统信息更新
- PowerEdge 2900 III 系统的 LCD 状态信息更新
- PowerEdge 2900 III 系统的系统设置程序更新
- 操作系统信息
- 《硬件用户手册》更新
- 系统板更换（仅限于维修步骤）

PowerEdge 2900 III – 全新系统功能

全新性能

- 两个双核或四核 Intel® Xeon® 处理器。

全新 I/O 和存储功能

- 可选 Intel 四端口千兆位以太网 NIC，可支持 10 Mbps、100 Mbps 和 1000 Mbps 数据速率以及 iSCSI 远程引导。
- 支持 10 Gb 以太网卡。
- 一个内部 USB 2.0 兼容连接器，支持可引导 USB 快擦写驱动器或 USB 存储钥匙（可选）。
- 支持 SAS 6i/R 和 PERC 6/i 适配器（可选）。

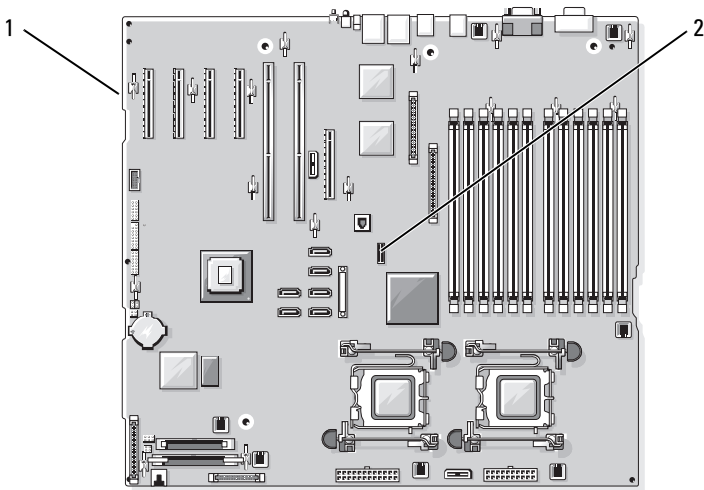
全新安全保护功能

- 受信任的平台模块 (TPM)，支持增强的安全保护级别。
- 支持 iSCSI 引导（可选）。

可选的内部 USB 存储钥匙

PowerEdge 2900 III 系统提供了一个内部 USB 连接器，位于系统板上，可配合 USB 快擦写存储钥匙使用（请参阅图 1-1）。USB 存储钥匙可用作引导设备、安全保护密钥或大容量存储设备。要使用内部 USB 连接器，必须启用系统设置程序的 **Integrated Devices**（集成设备）屏幕中的 **Internal USB Port**（内部 USB 端口）选项。请参阅第 45 页上的“**Integrated Devices**（集成设备）屏幕”。

图 1-1. 内部 USB 连接器位置



1 系统板

2 内部 USB 连接器位置

要从 USB 存储钥匙引导，您必须为 USB 存储钥匙配置一个引导映像，然后在系统设置程序的引导顺序中指定 USB 存储钥匙。请参阅《硬件用户手册》中的“使用系统设置程序”。有关在 USB 存储钥匙上创建可引导文件的信息，请参阅 USB 存储钥匙随附的用户说明文件。



注：必须使用钥匙制造商提供的格式化公用程序对包含多个 LUN（逻辑单元号码）的 USB 钥匙进行格式化。



注意：为了避免与系统内部的组件相冲突，USB 钥匙不能超出以下规格上限：12.7 毫米厚（0.5 英寸）x 30.48 毫米宽（1.2 英寸）x 71.12 毫米长（2.8 英寸）。

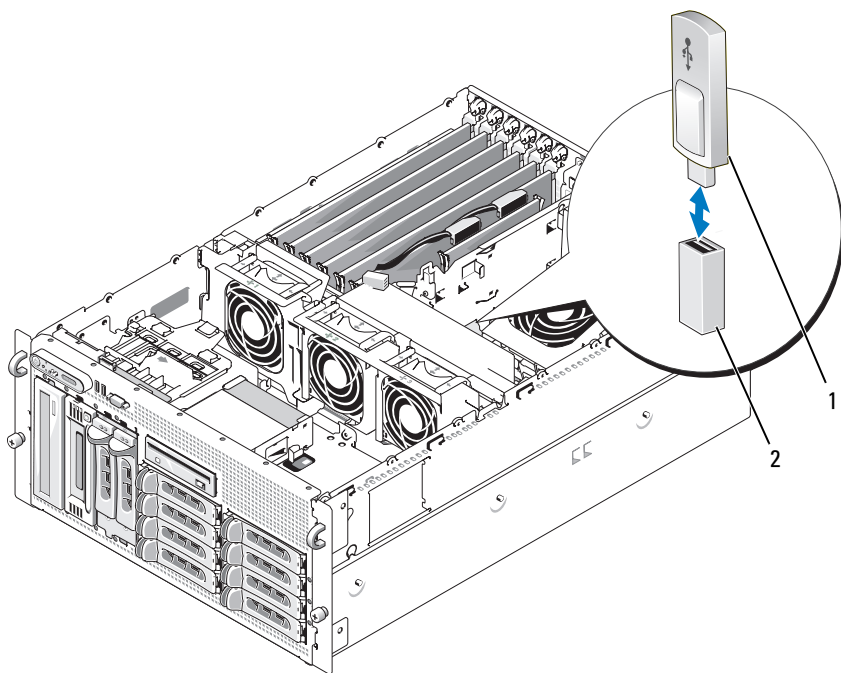
安装可选的内部 USB 存储钥匙



警告：只有经过培训的维修技术人员才能卸下系统护盖并拆装系统内部的任何组件。有关安全预防措施、拆装计算机内部组件以及防止静电损害的完整信息，请参阅《产品信息指南》。

- 1 关闭系统和所有连接的外围设备，并断开系统与电源插座的连接。
- 2 打开系统护盖。请参阅《硬件用户手册》中的“打开系统护盖”。
- 3 找到系统板上的 USB 连接器，然后将 USB 存储钥匙插入 USB 连接器。请参阅图 1-2。

图 1-2. 安装内部 USB 钥匙



1 USB 存储钥匙 2 内部 USB 连接器

- 4 合上系统护盖。请参阅《硬件用户手册》中的“合上系统护盖”。
- 5 将系统重新连接至电源，然后重新启动系统。
- 6 进入系统设置程序，并验证系统是否检测到 USB 钥匙。
请参阅《硬件用户手册》中的“使用系统设置程序”。

处理器升级 – PowerEdge 2900 II 和 PowerEdge 2900 III 系统

- 如果系统机箱前面有“II”标记，则表明您的系统可升级到具有双核 Intel Xeon 处理器的 5100 系列和具有四核 Intel Xeon 处理器的 5300 系列。
- 如果系统机箱前面有“III”标记，则表明您的系统可升级到具有双核 Intel Xeon 处理器的 5100 和 5200 系列以及具有四核 Intel Xeon 处理器的 5300 和 5400 系列。

有关系统最新处理器升级选项的信息，请参阅 support.dell.com。

系统板更换 – 保护加密数据

在使用 Windows Server® 2008 的 PowerEdge 2900 III 系统上，您可以使用加密程序（如 BitLocker 公用程序）保护硬盘驱动器上内容的安全。

如果您将 TPM 与加密应用程序配合使用，系统会提示您在系统设置过程中创建一个恢复密钥。请确保好好存储此恢复密钥。如果更换系统板，您必须在重新启动系统时提供恢复密钥，才能访问硬盘驱动器上的加密文件。

系统信息更新

表 1-1 列出 PowerEdge 2900 III 系统新的系统信息、出现这些信息的可能原因以及更正措施。



警告：只有经过培训的维修技术人员才能卸下系统护盖并拆装系统的任何内部组件。有关安全预防措施、拆装计算机内部组件以及防止静电释放的完整信息，请参阅《产品信息指南》。

表 1-1. 系统信息

信息	原因	纠正措施
Alert! Node Interleaving disabled! Memory configuration does not support Node Interleaving.	内存配置不支持节点交叉，或配置已更改（例如，DIMM 出现故障）导致无法支持节点交叉。系统虽然在运行，但是功能有所降低。	请确保将内存模块安装在支持节点交叉的配置中。请查看其它系统信息，获取有关可能原因的其它信息。有关内存配置的信息，请参阅《硬件用户手册》中的“一般内存模块安装原则”。如果问题仍然存在，请参阅《硬件用户手册》中的“系统内存故障排除”。
!!*** Error: Remote Access Controller initialization failure *** RAC virtual USB devices may not be available...	远程访问控制器初始化失败	请确保远程访问控制器已正确安装。请参阅《硬件用户手册》中的“安装 RAC 卡”。
Invalid PCIe card found in the Internal_Storage slot!	由于专用存储器控制器插槽中安装的 PCIe 扩充卡无效，系统停机。	请卸下 PCIe 扩充卡，在专用插槽中安装内部 SAS 控制器。
No boot device available	光盘驱动器子系统、硬盘驱动器或硬盘驱动器子系统出现故障或丢失，或没有安装可引导 USB 钥匙。	请使用可引导 USB 钥匙、CD 或硬盘驱动器。有关设置引导设备顺序的信息，请参阅《硬件用户手册》中的“使用系统设置程序”。
PCI BIOS failed to install	在 shadowing 效率增强期间检测到 PCIe 设备 BIOS（选项 ROM）校验和故障。 扩充卡的电缆松动；扩充卡出现故障或未正确安装。	请重置扩充卡。确保所有相应电缆都已稳固地连接至扩充卡。如果问题仍然存在，请参阅《硬件用户手册》中的“系统扩充卡故障排除”。

表 1-1. 系统信息 (续)

信息	原因	纠正措施
PCIe Degraded Link Width Error: Embedded device Expected Link Width is n Actual Link Width is n	系统板或提升板出现故障。	请参阅《硬件用户手册》中的“获得帮助”。
PCIe Degraded Link Width Error: Integrated device Expected Link Width is n Actual Link Width is n	指定 PCIe 设备出现故障或安装不正确。	对于 SAS 控制器子卡，请将卡重新插入专用 PCIe 连接器中。请参阅《硬件用户手册》中的“安装 SAS 控制器子卡”。如果问题仍然存在，请参阅《硬件用户手册》中的“获得帮助”。
PCIe Degraded Link Width Error: Slot n Expected Link Width is n Actual Link Width is n	指定插槽中的 PCIe 卡出现故障或未正确安装。	请将 PCIe 卡重新插入指定编号的插槽中。请参阅《硬件用户手册》中的“扩充卡”。如果问题仍然存在，请参阅《硬件用户手册》中的“获得帮助”。
PCIe Training Error: Embedded device	系统板或提升板出现故障。	请参阅《硬件用户手册》中的“获得帮助”。
PCIe Training Error: Integrated device	指定 PCIe 设备出现故障或安装不正确。	对于 SAS 控制器子卡，将卡重新插入专用 PCIe 连接器中。请参阅《硬件用户手册》中的“安装 SAS 控制器子卡”。如果问题仍然存在，请参阅《硬件用户手册》中的“获得帮助”。

表 1-1. 系统信息 (续)

信息	原因	纠正措施
PCIe Training Error: Slot n	指定插槽中的 PCIe 卡出现故障或未正确安装。	请在指定编号的插槽中重置 PCIe 卡。请参阅《硬件用户手册》中的“扩充卡”。如果问题仍然存在，请参阅《硬件用户手册》中的“获得帮助”。
Remote Access Controller cable error or incorrect card in the RAC slot.	RAC 电缆未连接，或 RAC 卡安装在错误的扩充槽中。	请检查是否连接了 RAC 电缆，并且 RAC 卡是否已安装在正确的扩充槽中。请参阅《硬件用户手册》中的“安装 RAC 卡”。
注： 所有 TPM 信息将在 POST 期间载入 BMC 选项 ROM 后才能显示。		
TPM configuration operation honored.	系统将重启。	仅供参考。
TPM Failure	受信任的平台模块 (TPM) 功能出现故障。	请参阅《硬件用户手册》中的“获得帮助”。
TPM operation is pending. Press I to Ignore or M to Modify to allow this change and reset the system. WARNING: Modifying could prevent security.	请求更改配置。	按 I 键继续系统引导。按 M 键修改 TPM 设置并重新启动。
Warning: Following faulty DIMMs are disabled: DIMM n_1 n_2 Total memory size is reduced.	内存模块出现故障或未正确就位。DIMM 成对禁用，以 n_1 和 n_2 表示。请分别检查两个 DIMM，找出可能的故障。	请参阅《硬件用户手册》中的“系统内存故障排除”。

表 1-1. 系统信息 (续)

信息	原因	纠正措施
Warning: A fatal error has caused system reset! Please check the system event log!	出现严重系统错误, 导致系统重新启动。	请查看 SEL 以获取在出错过程中记录的信息。请参阅《硬件用户手册》的“系统故障排除”中的相应故障排除部分。针对 SEL 中指定的出现故障的组件。
Warning! No micro code update loaded for processor n	微代码更新失败。	请更新 BIOS 固件。请参阅《硬件用户手册》中的“获得帮助”。
Warning: The installed memory configuration is not optimal. For more information on valid memory configurations, please see the system documentation on the technical support web site.	内存配置无效。系统虽然在运行, 但是功能有所降低。	请确保内存模块安装在有效的配置中。请参阅《硬件用户手册》中的“一般内存模块安装原则”。如果问题仍然存在, 请参阅《硬件用户手册》中的“系统内存故障排除”。
Write fault Write fault on selected drive	USB 设备、USB 介质、光盘驱动器部件、硬件驱动器或硬件驱动器子系统出现故障。	请更换出现故障的介质。重新插入 USB 设备或 USB 电缆。有关硬盘驱动器的问题, 请参阅《硬件用户手册》中的“硬盘驱动器故障排除”。

LCD 状态信息更新

表 1-2 列出可能出现在 PowerEdge 2900 III 系统中的 LCD 状态信息的更新，以及每条信息的可能原因。LCD 信息引用系统事件日志 (SEL) 中记录的事件。有关 SEL 和配置系统管理设置的信息，请参阅系统管理软件说明文件。

表 1-2. LCD 状态消息

代码	文本	原因	纠正措施
N/A	<i>SYSTEM NAME</i>	由 62 个字符组成的字符串，可由用户在系统设置程序中定义。 在以下情况下显示 <i>SYSTEM NAME</i> (系统名称)： <ul style="list-style-type: none">• 打开系统电源。• 关闭系统电源并显示活动错误。	此信息仅供参考。 您可以在系统设置程序中更改系统 ID 和名称。请参阅《硬件用户手册》中的“使用系统设置程序”。
E1000	FAILSAFE, Call Support	请查看系统事件记录以了解严重故障事件。	请参阅《硬件用户手册》中的“获得帮助”。
E1118	CPU Temp Interface	BMC 无法确定 CPU 温度状态。因此，作为预防措施，BMC 将 CPU 风扇的速度增加到最大。	请关闭系统电源并重新启动系统。如果问题仍然存在，请参阅《硬件用户手册》中的“获得帮助”。
E1211	ROMB Batt	RAID 电池丢失、损坏或因温度问题而无法再充电。	请重置 RAID 电池连接器。请参阅《硬件用户手册》中的“RAID 电池”和“系统冷却问题故障排除”。
E1625	PS AC Current	电源超出允许范围。	请检查交流电源。

表 1-2. LCD 状态消息 (续)

代码	文本	原因	纠正措施
E1711	PCI PERR B## D## F##	系统 BIOS 已报告组件发生 PCI 奇偶校验错误, 该组件位于总线 ## 设备 ## 功能 ## 的 PCI 配置空间。	请卸下并重置 PCIe 扩充卡。如果问题仍然存在, 请参阅《硬件用户手册》中的“扩充卡故障排除”。
	PCI PERR Slot #	系统 BIOS 已报告组件发生 PCIe 奇偶校验错误, 该组件位于指定的 PCI 插槽。	请重新安装扩充卡提升板。请参阅《硬件用户手册》中的“扩充卡提升板”。 如果问题仍然存在, 则表示提升卡或系统板出现故障。请参阅《硬件用户手册》中的“获得帮助”。
E1712	PCI SERR B## D## F##	系统 BIOS 已报告组件发生 PCI 系统错误, 该组件位于总线 ## 设备 ## 功能 ## 的 PCI 配置空间。	请卸下并重置 PCIe 扩充卡。如果问题仍然存在, 请参阅《硬件用户手册》中的“扩充卡故障排除”。
	PCI SERR Slot #	系统 BIOS 已报告组件发生 PCI 系统错误, 该组件位于指定的插槽。	请重新安装扩充卡提升板。请参阅《硬件用户手册》中的“扩充卡提升板”。 如果问题仍然存在, 则表示提升卡或系统板出现故障。请参阅《硬件用户手册》中的“获得帮助”。

表 1-2. LCD 状态消息 (续)

代码	文本	原因	纠正措施
E171F	PCIe Fatal Err B## D## F##	系统 BIOS 已报告组件发生 PCIe 致命错误, 该组件位于总线 ##、设备 ##、功能 ## 的 PCIe 配置空间。	请卸下并重置 PCIe 扩充卡。如果问题仍然存在, 请参阅《硬件用户手册》中的“扩充卡故障排除”。
	PCIe Fatal Err Slot #	系统 BIOS 已报告组件发生 PCIe 致命错误, 该组件位于指定的插槽。	请重新安装扩充卡提升板。请参阅《硬件用户手册》中的“扩充卡提升板”。 如果问题仍然存在, 则表示提升卡或系统板出现故障。请参阅《硬件用户手册》中的“获得帮助”。
E1914	DRAC5 Conn2 Cbl	DRAC 5 电缆丢失或连接断开。	请重新连接电缆。请参阅《硬件用户手册》中的“安装 RAC 卡”。
E1B01	USB# Overcurrent	插入指定 USB 端口的设备导致出现过流条件。	请重新插入设备电缆。如果问题仍然存在, 请更换或卸下设备。
E2110	MBE DIMM # & #	两个指定 DIMM 中的一个出现内存多位错误 (MBE)。	请参阅《硬件用户手册》中的“系统内存故障排除”。
E2111	SBE Log Disable DIMM #	系统 BIOS 已禁用内存单位错误 (SBE) 记录, 在重新启动系统之前, 不会再记录更多的 SBE。“#”表示 BIOS 指示的 DIMM。	请参阅《硬件用户手册》中的“系统内存故障排除”。

表 1-2. LCD 状态消息 (续)

代码	文本	原因	纠正措施
E2112	Mem Spare DIMM #	系统 BIOS 确定内存中有太多错误，因此已将内存释放。“# & #”表示 BIOS 指示的 DIMM 对。	请参阅《硬件用户手册》中的“系统内存故障排除”。
I1915	Video Off (视频关闭) (LCD 呈蓝色或琥珀色背景亮起)。	视频已被 RAC 远程用户关闭。	仅供参考。
I1916	Video Off in ## (视频将在 ## 后关闭) (LCD 呈蓝色或琥珀色背景亮起)。	视频将被 RAC 远程用户在 xx 秒后关闭。	仅供参考。



注：为每个诊断检测程序 LCD 信息分配一个优先级。具有最高优先级的信息将取代具有较低优先级的信息组。

系统设置程序更新

内存屏幕

表 1-3 列出有关 Memory Information (内存信息) 屏幕中显示的信息字段的说明。

表 1-3. Memory Information (内存信息) 屏幕选项

选项	说明
System Memory Size (系统内存大小)	显示系统内存容量。
System Memory Type (系统内存类型)	显示系统内存类型。
System Memory Speed (系统内存速度)	显示系统内存速度。

表 1-3. Memory Information (内存信息) 屏幕选项 (续)

选项	说明
Video Memory (视频内存)	显示视频内存容量。
System Memory Testing (系统内存检测)	指定系统内存检测是否在系统引导时运行。选项为 Enabled (已启用) 和 Disabled (已禁用)。
Redundant Memory (冗余内存) (默认设置为 Disabled [已禁用])	启用或禁用冗余内存功能。设置为 Spare Mode (备用模式) 时, 每个 DIMM 中的第一列内存将保留用于备用内存。如果已启用 Node Interleaving (节点交叉) 字段, 则将禁用冗余内存功能。
Node Interleaving (节点交叉存取) (默认设置为 Disabled [已禁用])	当此字段设置为 Enabled (已启用) 时, 如果安装了对称内存配置, 则支持内存交叉存取。如果此字段设置为 Disabled (已禁用), 则系统可支持非一致性存取内存体系结构 (NUMA) (非对称) 内存配置。 注: 使用冗余内存功能时, 必须将 Node Interleaving (节点交叉) 字段设置为 Disabled (已禁用)。
Low Power Mode (低功率模式) (默认设置为 Disabled [已禁用])	启用或禁用内存的低功率模式。设置为 Disabled (已禁用) 时, 内存以全速运行。设置为 Enabled (已启用) 时, 内存以较低的速度运行, 从而实现节能。

CPU Information (CPU 信息) 屏幕

表 1-4 更新针对 Demand-Based Power Management (基于需求的电源管理) 选项的说明。

表 1-4. CPU Information (CPU 信息) 屏幕

选项	说明
Demand-Based Power Management (基于需求的电源管理) (默认设置为 Enabled [已启用])	注: 请查看您的操作系统说明文件, 验证操作系统是否支持此功能。 启用或禁用基于需求的电源管理。启用时, 会向操作系统报告 CPU 性能状态表; 禁用时, 则不向操作系统报告 CPU 性能状态表。如果任何 CPU 不支持基于需求的电源管理, 该字段会变为只读字段, 并自动设置为 Disabled (已禁用)。

Integrated Devices（集成设备）屏幕

表 1-5 列出新的 Integrated Devices（集成设备）屏幕选项。

表 1-5. Integrated Devices（集成设备）屏幕选项

选项	说明
Internal USB Port (内部 USB 端口) (默认设置为 On [开])	启用或禁用系统的内部 USB 端口。
OS Watchdog Timer (OS 监视 器计时器) (默认设置为 Disabled [已禁用])	注： 只有支持高级配置和电源接口 (ACPI) 3.0b 规格的 WDAT 实现的操作系统才能使用此功能。Microsoft® Windows Server® 2008 支持此功能，而 Windows Server 2003 不支持。 设置一个计时器，用于监测操作系统的活动，并在系统停 止响应时帮助系统恢复。如果此字段设置为 Enabled (已启用)，操作系统可以初始化计时器。如果设置为 Disabled (已禁用)，则不可初始化计时器。
I/OAT DMA Engine (I/OAT DMA 引擎) (默认设置为 Disabled [已禁用])	启用或禁用 I/O Acceleration Technology (I/OAT) (I/O 加速 技术 [I/OAT]) 选项。如果设置为 Enabled (已启用)， 对于使用 TCP 的应用程序，I/OAT 通过将部分 TCP 接收 操作减负到 DMA 引擎，以减少系统 CPU 的使用。
System Interrupts Assignment (系统中断分配) (默认设置为 Standard [标准])	此字段控制系统中 PCI 设备的中断分配。如果设置为 Distributed (分布式)，中断路由会进行重排以最小化设 备间的 IRQ 共享。

System Security（系统安全保护）屏幕

表 1-6 列出针对 PowerEdge 2900 III 系统的全新选项。



注：在中国发货的系统未附带 TPM。



注意：启用 TPM Security（TPM 安全保护）选项之前，请确保操作系统支持 TPM。

表 1-6. 新的 System Security（系统安全保护）屏幕选项

选项	说明
TPM Security (TPM 安全保护) (默认设置为 Off [关])	<p>设置系统中受信任的平台模块 (TPM) 的报告。</p> <p>如果设置为 Off（关闭）（默认），将不向操作系统报告 TPM 是否存在。</p> <p>设置为 On with Pre-boot Measurements（开，进行预引导测试）时，系统将在 POST 期间向操作系统报告 TPM 并将预引导测试数据（符合受信任的计算组标准）存储至 TPM。</p> <p>设置为 On without Pre-boot Measurements（开，不进行预引导测试）时，系统将向操作系统报告 TPM，且未经过预引导测试。</p>
TPM Activation (TPM 激活)	<p>更改 TPM 的操作状态。</p> <p>设置为 Activate（激活）时，在默认设置下启用并激活 TPM。</p> <p>设置为 Deactivate（取消激活）时，禁用并取消激活 TPM。</p> <p>No Change（无更改）状态不启动任何操作。TPM 的操作状态保持不变（TPM 的所有用户设置将会保留）。</p> <p>注：TPM Security（TPM 安全保护）设置为 Off（关）时，该字段为只读。</p>
TPM Clear (TPM 清除) (默认设置为 No [否])	<p> 注意：清除 TPM 会导致 TPM 中的所有加密密钥丢失。如果无法恢复加密密钥，此选项会导致无法引导到操作系统并导致数据丢失。在启用此选项之前，请确保备份 TPM 密钥。</p> <p>设置为 Yes（是）时，TPM 的所有内容都将清除。</p> <p>注：TPM Security（TPM 安全保护）设置为 Off（关）时，该字段为只读。</p>

串行通信屏幕

表 1-7 列出有关默认 Failsafe Baud Rate（故障保护波特率）的更新信息。

表 1-7. Serial Communication（串行通信）屏幕选项

选项	说明
Failsafe Baud Rate (故障保护波特率) (默认设置为 115200)	无法自动与远程终端协商波特率时，显示用于控制台重定向的故障保护波特率。此速率不可调整。

操作系统信息

枚举 NIC

与使用 `devfs` 设备管理器的早期 Linux 版本相比，使用 `udev` 内核设备管理器的 Linux 操作系统版本枚举 NIC 的方式不同。尽管这不会影响系统功能，但使用 Red Hat® Enterprise Linux®（版本 4 或版本 5）或 SUSE® Linux Enterprise Server 9 或 10 操作系统时，枚举 NIC 的方式完全相反：NIC1 被配置为 `eth1`，而不是 `eth0`；NIC2 被配置为 `eth0`，而不是 `eth1`。有关如何更改默认设备枚举的信息，请参阅位于 linux.dell.com 上的 Network Interface Card Naming（网络接口卡命名）白皮书。

RHEL3 和 SLES9 的 SATA 光盘驱动器支持

RHEL 3 更新 8 和 SLES 9 SP4 支持 SATA 光盘驱动器。这些操作系统的较早版本不支持 SATA 光盘驱动器。

RHEL — 错误的处理器信息

- 如果在运行 RHEL 版本 4 更新 5 的系统中安装 Intel Xeon 54xx 处理器，并在 BIOS 中启用按需切换，`cat/proc/cpuinfo` 和 `cat/sys/devices/system/cpu/cpuxx/cpufreq/scaling_cur_freq` 均显示为错误的处理频率。（不影响实际处理器速度。）
- 如果在运行 RHEL 版本 3 更新 9 的系统中安装 Intel Xeon 54xx 处理器，会在 `/proc/cpuinfo` 中显示错误的处理器信息。（不影响实际处理器速度。）

在将来的 RHEL 4 更新中，此问题会得到解决。

Microsoft Windows 2000 的系统支持

如果运行 *System Build and Update Utility* (系统构建和更新公用程序), Microsoft® Windows® 2000 将位于 **Server OS Install** (服务器操作系统安装) 选项卡上的操作系统列表中。PowerEdge 2900 和 2900 II 系统支持此操作系统, PowerEdge 2900 III 系统不支持此操作系统。

《硬件用户手册》更新


安装处理器

安装处理器时, 在使用插槽释放拉杆固定处理器之前, 必须合上处理器护盖。

系统诊断程序自定义检测选项

在系统诊断程序的 **Customize** (自定义) 窗口中, **Log output file pathname** (日志输出文件路径名) 选项允许您指定用于保存检测日志文件的软盘驱动器或 USB 存储钥匙。您不能将文件保存在硬盘驱动器上。

系统板更换更新 (仅限于维修步骤)

 **警告:** 只有经过培训的维修技术人员才能卸下系统护盖并拆装系统的任何内部组件。有关安全预防措施、拆装计算机内部组件以及防止静电损害的完整信息, 请参阅《产品信息指南》。

《硬件用户手册》中介绍的有关更换系统板的过程已更新。卸下或安装系统板时, 使用固定插针和系统板手柄提起系统板 (请参阅图 1-3)。


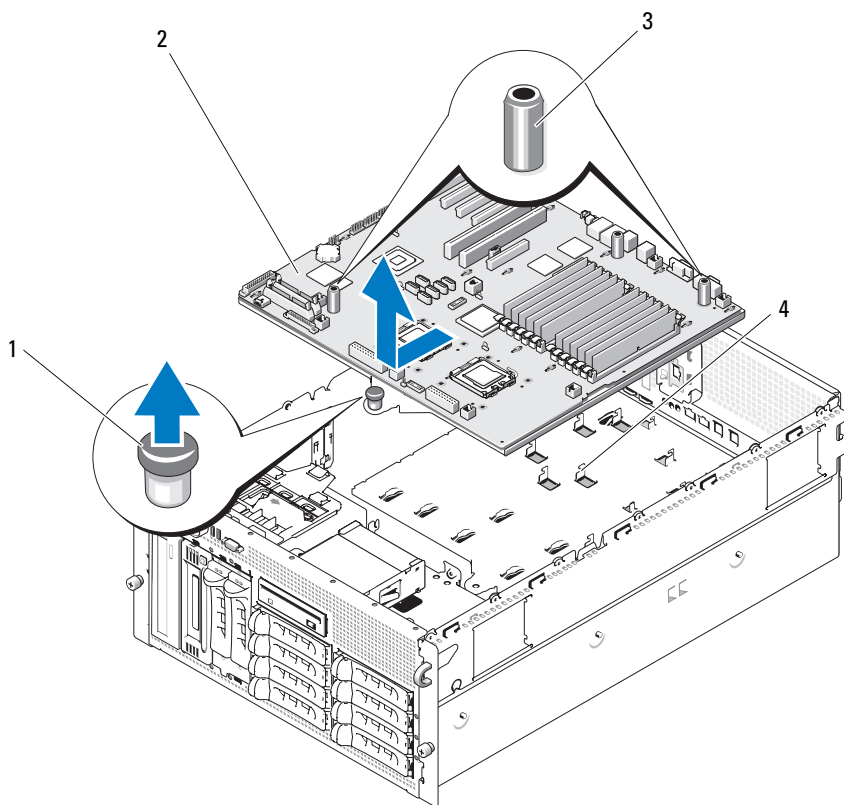
 **注意:** 请使用系统板手柄, 而不要使用内存模块固定支架或系统板上的任意组件提起系统板, 以免损坏系统板。

图 1-3. 卸下系统板



1 固定插针

2 系统板

3 系统板手柄 (2)

4 机箱挂钩

Systemes Dell™
PowerEdge™ 2900

Mise à jour des
informations



Remarques, avis et précautions



REMARQUE : Une REMARQUE indique des informations importantes qui peuvent vous aider à mieux utiliser votre ordinateur.



AVIS : Un AVIS vous avertit d'un risque de dommage matériel ou de perte de données et vous indique comment éviter le problème.



PRÉCAUTION ! Une PRÉCAUTION vous avertit d'un risque d'endommagement du matériel, de blessure corporelle ou de mort.

Les informations contenues dans ce document sont sujettes à modification sans préavis.

© 2006–2009 Dell Inc. Tous droits réservés.

La reproduction de ce document de quelque manière que ce soit sans l'autorisation écrite de Dell Inc. est strictement interdite.

Marques mentionnées dans ce document : *Dell*, le logo *DELL* et *PowerEdge* sont des marques de Dell Inc. ; *Intel* et *Xeon* sont des marques déposées de Intel Corporation ; *Microsoft*, *Windows* et *Windows Server* sont des marques ou des marques déposées de Microsoft Corporation aux États-Unis et/ou dans d'autres pays ; *Red Hat* et *Red Hat Enterprise Linux* sont des marques déposées de Red Hat, Inc. ; *SUSE* est une marque déposée de Novell Inc.

D'autres marques commerciales et noms de marque peuvent être utilisés dans ce document pour faire référence aux entités se réclamant de ces marques et de ces noms ou de leurs produits. Dell Inc. dénie tout intérêt propriétaire vis-à-vis des marques commerciales et des noms de marque autres que les siens.

Table des matières

Nouvelles fonctionnalités des systèmes PowerEdge 2900 III.	55
Nouvelles fonctions d'optimisation des performances	55
Nouvelles fonctions d'E/S et de stockage	55
Nouvelles fonctions de sécurité	55
Clé de mémoire USB interne (en option)	56
Installation de la clé de mémoire USB interne en option	57
Mise à niveau des processeurs pour les systèmes PowerEdge 2900 II et III	59
Remplacement de la carte système - Sauvegarde des données cryptées	59
Mise à jour des messages système	59
Mise à jour concernant les messages d'état affichés sur l'écran LCD	66
Mise à jour du programme de configuration du système	70
Écran relatif à la mémoire	70
Écran CPU Information (Informations sur le processeur)	72
Écran Integrated Devices (Périphériques intégrés)	72
Écran System Security (Sécurité du système)	73
Écran des communications série.	75

Informations concernant le système d'exploitation. . .	76
Énumération des NIC	76
Prise en charge des lecteurs optiques SATA sous RHEL3 et SLES9.	76
Informations relatives au processeur incorrectes sous RHEL	76
Support système pour Microsoft Windows 2000.	77
Mises à jour du document Manuel du propriétaire. . .	77
Installation du processeur	77
Options disponibles dans les tests personnalisés des diagnostics du système.	77
Mise à jour des instructions de remplacement de la carte système (maintenance uniquement)	77

Ce document contient une mise à jour des informations portant sur les sujets suivants :

- Nouvelles fonctionnalités des systèmes PowerEdge™ 2900 III
- Clé de mémoire USB interne pour les systèmes PowerEdge 2900 III
- Mise à niveau des processeurs pour les systèmes PowerEdge 2900 II et III
- Remplacement de la carte système - Sauvegarde des données cryptées
- Mise à jour des messages système pour les systèmes PowerEdge 2900 III
- Mise à jour des messages d'état affichés sur l'écran LCD des systèmes PowerEdge 2900 III
- Mise à jour du programme de configuration du système pour les systèmes PowerEdge 2900 III
- Informations concernant le système d'exploitation
- Mises à jour du document Manuel du propriétaire
- Remplacement de la carte système (maintenance uniquement)

Nouvelles fonctionnalités des systèmes PowerEdge 2900 III

Nouvelles fonctions d'optimisation des performances

- Deux processeurs double coeur ou quadruple coeur Intel® Xeon®

Nouvelles fonctions d'E/S et de stockage

- NIC Ethernet Gigabit Intel en option (quatre ports) prenant en charge des débits de 10, 100 et 1000 Mbps, ainsi que l'amorçage iSCSI à distance
- Prise en charge des cartes Ethernet 10 Gb
- Connecteur USB interne compatible 2.0 prenant en charge un lecteur flash USB amorçable ou une clé de mémoire USB, tous deux disponibles en option
- Prise en charge d'adaptateurs SAS 6i/R et PERC 6/i supplémentaires

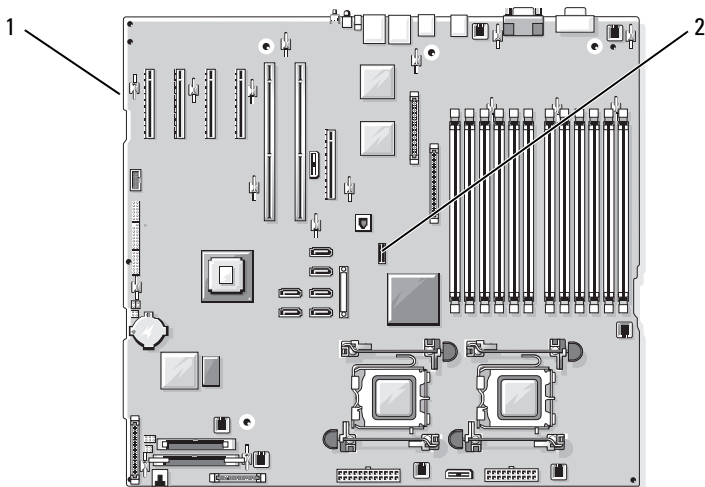
Nouvelles fonctions de sécurité

- Puce TPM (Trusted Program Module) pour une sécurité renforcée
- Prise en charge de l'amorçage iSCSI (en option)

Clé de mémoire USB interne (en option)

Le PowerEdge 2900 III contient un connecteur USB interne situé sur la carte système et pouvant être utilisé avec une clé de mémoire flash USB (voir figure 1-1). Cette clé peut être utilisée de différentes façons (périphérique d'amorçage, clé de sécurité ou périphérique de stockage). Pour que vous puissiez utiliser le connecteur USB interne, l'option **Internal USB Port** (Port USB interne) doit être activée dans l'écran **Integrated Devices** (Périphériques intégrés) du programme de configuration du système. Voir “Écran Integrated Devices (Périphériques intégrés)” page 72.

Figure 1-1. Emplacement du connecteur USB interne



1 Carte système

2 Emplacement du connecteur USB interne

Pour pouvoir démarrer le système à partir d'une clé de mémoire USB, vous devez stocker une image d'amorçage sur cette dernière et ajouter la clé à la séquence d'amorçage définie dans le programme de configuration du système. Voir "Utilisation du programme de configuration du système" dans le document *Manuel du propriétaire*. Pour obtenir les instructions permettant de créer un fichier d'amorçage sur la clé de mémoire USB, voir la documentation fournie avec cette dernière.



REMARQUE : Les clés USB qui contiennent plusieurs LUN (numéros d'unité logique) doivent être formatées à l'aide de l'utilitaire fourni à cet effet par leur constructeur.



NOTICE: Pour éviter toute interférence avec les composants internes du système, la clé USB doit avoir les dimensions maximales suivantes : 12,7 mm d'épaisseur (0,5 pouce) x 30,48 mm de largeur (1,2 pouces) x 71,12 mm de longueur (2,8 pouces).

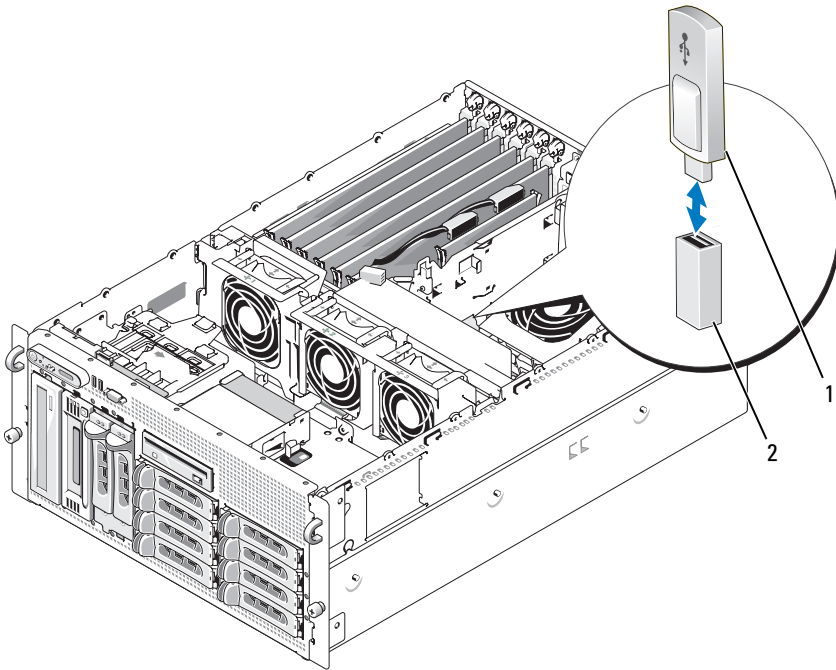
Installation de la clé de mémoire USB interne en option



PRÉCAUTION : Seuls les techniciens de maintenance qualifiés sont habilités à retirer le capot du système pour accéder aux composants internes. Voir le document *Guide d'informations sur le produit* pour obtenir des informations détaillées sur les consignes de sécurité, les interventions dans l'ordinateur et la protection contre les décharges électrostatiques.

- 1 Éteignez le système et les périphériques qui y sont connectés, puis débranchez-le de la prise secteur.
- 2 Ouvrez le système. Voir "Ouverture du système" dans le document *Manuel du propriétaire*.
- 3 Identifiez le connecteur USB sur la carte système et insérez la clé de mémoire USB dans ce connecteur. Voir figure 1-2.

Figure 1-2. Installation d'une clé USB interne



1 Clé de mémoire USB

2 Connecteur USB interne

- 4 Refermez le système. Voir “Fermeture du système” dans le document *Manuel du propriétaire*.
- 5 Rebranchez le système sur la prise secteur et redémarrez-le.
- 6 Accédez au programme de configuration du système et vérifiez que la clé USB a été détectée. Voir “Utilisation du programme de configuration du système” dans le document *Manuel du propriétaire*.

Mise à niveau des processeurs pour les systèmes PowerEdge 2900 II et III

- Si la mention “II” figure à l'avant du châssis, le système peut être mis à niveau via l'installation de processeurs Intel Xeon double coeur de la série 5100, ou de processeurs Intel Xeon quadruple coeur de la série 5300.
- Si la mention “III” figure à l'avant du châssis, le système peut être mis à niveau via l'installation de processeurs Intel Xeon double coeur de la série 5100, ou de processeurs Intel Xeon quadruple coeur de la série 5200.

Rendez-vous sur le site support.dell.com pour obtenir des informations sur les options de mise à niveau du processeur les plus récentes disponibles pour votre système.

Remplacement de la carte système - Sauvegarde des données cryptées

Sur les systèmes PowerEdge 2900 III équipés de Windows Server® 2008, vous pouvez utiliser des programmes de cryptage tels que BitLocker pour protéger le contenu du disque dur.

Si vous utilisez la puce TPM avec une application de cryptage, vous êtes invité à créer une clé de récupération pendant l'installation du système. Veillez à conserver cette clé de récupération. Si vous êtes un jour amené à remplacer la carte système, vous devrez fournir cette clé lors du redémarrage du système afin de pouvoir accéder aux données cryptées qui se trouvent sur le ou les disques durs.

Mise à jour des messages système

Le tableau 1-1 répertorie les nouveaux messages système du PowerEdge 2900 III. Il indique également leur cause probable, ainsi que les mesures correctives appropriées.



PRÉCAUTION : Seuls les techniciens de maintenance qualifiés sont habilités à retirer le capot du système pour accéder aux composants internes. Voir le document *Guide d'informations sur le produit* pour obtenir des informations détaillées sur les consignes de sécurité, les interventions dans l'ordinateur et la protection contre les décharges électrostatiques.

Tableau 1-1. Messages système

Message	Causes	Actions correctives
Alert! Node Interleaving disabled! Memory configuration does not support Node Interleaving.	La configuration de la mémoire ne prend pas en charge l'imbrication des nœuds, ou bien celle-ci ne peut plus être prise en charge en raison d'un changement intervenu dans la configuration (barrette DIMM en panne, par exemple). Le système fonctionne, mais de façon restreinte.	Les barrettes de mémoire doivent être installées dans une configuration prenant en charge l'entrelacement des nœuds. Consultez les autres messages du système afin d'obtenir plus d'informations quant aux causes éventuelles. Pour plus d'informations, voir “Consignes générales pour l'installation des barrettes de mémoire” dans le document <i>Manuel du propriétaire</i> . Si l'incident persiste, voir “Dépannage de la mémoire système” dans le document <i>Manuel du propriétaire</i> .
!!*** Error: Remote Access Controller initialization failure *** RAC virtual USB devices may not be available...	Échec de l'initialisation du contrôleur d'accès distant (DRAC).	Assurez-vous que le contrôleur DRAC est correctement installé. Voir “Installation d'une carte RAC” dans le document <i>Manuel du propriétaire</i> .
Invalid PCIe card found in the Internal_Storage slot!	Le système s'est arrêté, car une carte d'extension PCIe non valide est installée dans l'emplacement dédié au contrôleur de stockage.	Retirez la carte d'extension PCIe installée dans l'emplacement réservé et remplacez-la par le contrôleur SAS.

Tableau 1-1. Messages système (suite)

Message	Causes	Actions correctives
No boot device available	Sous-système du lecteur optique ou du disque dur défectueux ou manquant ; disque dur défectueux ou manquant ; aucune clé USB amorçable installée.	Utilisez une clé USB, un CD ou un disque dur amorçable. Voir “Utilisation du programme de configuration du système” dans le document <i>Manuel du propriétaire</i> pour plus d'informations sur la définition de la séquence d'amorçage.
PCI BIOS failed to install	Un échec de la somme de contrôle du BIOS du périphérique PCIe (ROM optionnelle) a été détecté lors de la duplication miroir. Connexion incorrecte des câbles de carte(s) d'extension ; carte(s) d'extension défectueuse(s) ou mal installée(s).	Réinstallez la ou les cartes d'extension en place. Vérifiez que tous les câbles appropriés sont correctement branchés dans la ou les cartes d'extension. Si l'incident persiste, voir “Dépannage des cartes d'extension” dans le document <i>Manuel du propriétaire</i> .
PCIe Degraded Link Width Error: Embedded device Expected Link Width is n Actual Link Width is n	Carte système ou carte de montage défectueuse.	Voir “Obtention d'aide” dans le document <i>Manuel du propriétaire</i> .

Tableau 1-1. Messages système (suite)

Message	Causes	Actions correctives
PCIe Degraded Link Width Error: Integrated device Expected Link Width is n Actual Link Width is n	Le périphérique PCIe indiqué est défectueux ou mal installé.	Pour une carte contrôleur fille SAS, remboîtez la carte dans le connecteur PCIe approprié. Voir “Installation d’une carte contrôleur fille SAS” dans le document <i>Manuel du propriétaire</i> . Si l’incident persiste, voir “Obtention d’aide” dans le document <i>Manuel du propriétaire</i> .
PCIe Degraded Link Width Error: Slot n Expected Link Width is n Actual Link Width is n	Carte PCIe défectueuse ou mal installée dans le support indiqué.	Remboîtez la carte PCIe dans le logement dont le numéro est indiqué. Voir “Cartes d’extension” dans le document <i>Manuel du propriétaire</i> . Si l’incident persiste, voir “Obtention d’aide” dans le document <i>Manuel du propriétaire</i> .
PCIe Training Error: Embedded device	Carte système ou carte de montage défectueuse.	Voir “Obtention d’aide” dans le document <i>Manuel du propriétaire</i> .
PCIe Training Error: Integrated device	Le périphérique PCIe indiqué est défectueux ou mal installé.	Pour une carte contrôleur fille SAS, remboîtez la carte dans le connecteur PCIe approprié. Voir “Installation d’une carte contrôleur fille SAS” dans le document <i>Manuel du propriétaire</i> . Si l’incident persiste, voir “Obtention d’aide” dans le document <i>Manuel du propriétaire</i> .

Tableau 1-1. Messages système (suite)

Message	Causes	Actions correctives
PCIe Training Error: Slot n	Carte PCIe défectueuse ou mal installée dans le support indiqué.	Réinstallez la carte PCIe dans le logement indiqué. Voir “Cartes d’extension” dans le document <i>Manuel du propriétaire</i> . Si l’incident persiste, voir “Obtention d’aide” dans le document <i>Manuel du propriétaire</i> .
Remote Access Controller cable error or incorrect card in the RAC slot.	Les câbles de la carte RAC sont déconnectés, ou bien celle-ci a été installée dans un logement d’extension incorrect.	Vérifiez que les câbles de la carte RAC sont correctement connectés et que celle-ci est installée dans le logement d’extension approprié. Voir “Installation d’une carte RAC” dans le document <i>Manuel du propriétaire</i> .
REMARQUE : Tous les messages d’information relatifs à la puce TPM apparaîtront une fois la ROM optionnelle du contrôleur BMC chargée au cours du POST.		
TPM configuration operation honored.	Le système est en cours de réinitialisation.	Pour information uniquement.
TPM Failure	Une fonction TPM (Trusted Platform Module) a échoué.	Voir “Obtention d’aide” dans le document <i>Manuel du propriétaire</i> .
TPM operation is pending. Press I to Ignore or M to Modify to allow this change and reset the system. WARNING: Modifying could prevent security.	Une modification de la configuration a été demandée.	Appuyez sur I pour poursuivre l’amorçage du système. Appuyez sur M pour modifier le paramétrage de la puce TPM et redémarrer le système.

Tableau 1-1. Messages système (suite)

Message	Causes	Actions correctives
Warning: Following faulty DIMMs are disabled: DIMM n_1 n_2 Total memory size is reduced.	Barrettes de mémoire défectueuses ou mal installées. Les barrettes DIMM sont désactivées deux par deux, comme indiqué par n_1 et n_2 . Vérifiez les deux barrettes DIMM pour détecter une panne éventuelle.	Voir “Dépannage de la mémoire système” dans le document <i>Manuel du propriétaire</i> .
Warning: A fatal error has caused system reset! Please check the system event log!	Une erreur fatale a provoqué le redémarrage du système.	Reportez-vous aux informations qui ont été consignées dans le journal des événements du système (SEL) lorsque cette erreur s'est produite. Voir “Dépannage du système” dans le document <i>Manuel du propriétaire</i> . Pour les composants défectueux signalés dans le journal des événements du système.
Warning! No micro code update loaded for processor n	La mise à jour du microcode a échoué.	Mettez le micrologiciel du BIOS à jour. Voir “Obtention d’aide” dans le document <i>Manuel du propriétaire</i> .

Tableau 1-1. Messages système (suite)

Message	Causes	Actions correctives
Warning: The installed memory configuration is not optimal. For more information on valid memory configurations, please see the system documentation on the technical support web site.	Configuration de mémoire non valide. Le système fonctionne, mais de façon restreinte.	Assurez-vous que la configuration des barrettes de mémoire est valide. Voir “Consignes générales pour l’installation des barrettes de mémoire” dans le document <i>Manuel du propriétaire</i> . Si l’incident persiste, voir “Dépannage de la mémoire système” dans le document <i>Manuel du propriétaire</i> .
Write fault Write fault on selected drive	Périphérique USB, support USB, assemblage du lecteur optique, disque dur ou sous-système de disque dur défectueux.	Remplacez le support défectueux. Remboîtez le périphérique USB ou le câble USB dans son connecteur. En cas d’incident lié aux disques durs, voir “Dépannage d’un disque dur” dans le document <i>Manuel du propriétaire</i> .

Mise à jour concernant les messages d'état affichés sur l'écran LCD

Le tableau 1-2 répertorie les nouveaux messages d'état qui peuvent s'afficher sur l'écran LCD du système PowerEdge 2900 III. Il indique également leur cause probable. Les messages qui s'affichent sur cet écran se rapportent aux événements consignés dans le journal d'événements du système (SEL). Pour plus d'informations sur ce journal et sur la configuration des paramètres de gestion du système, voir la documentation du logiciel de gestion de systèmes.

Tableau 1-2. Messages d'état affichés sur l'écran LCD

Code	Texte	Causes	Actions correctives
N/A	<i>NOM DU SYSTÈME</i>	<p><i>Chaîne de 62 caractères pouvant être définie par l'utilisateur dans le programme de configuration du système.</i></p> <p>Ce nom s'affiche dans les cas suivants :</p> <ul style="list-style-type: none"> • Mise sous tension du système • Mise hors tension du système alors que des erreurs actives sont affichées. 	<p>Ce message est affiché uniquement pour information.</p> <p>Vous pouvez modifier l'ID et le nom du système dans le programme de configuration du système. Voir "Utilisation du programme de configuration du système" dans le document <i>Manuel du propriétaire</i>.</p>
E1000	FAILSAFE, Call Support	Vérifiez si des événements critiques sont consignés dans le journal des événements du système et contactez le support.	Voir "Obtention d'aide" dans le document <i>Manuel du propriétaire</i> .

Tableau 1-2. Messages d'état affichés sur l'écran LCD (suite)

Code	Texte	Causes	Actions correctives
E1118	CPU Temp Interface	Le contrôleur BMC ne parvient pas à déterminer la température des processeurs. Il augmente donc la vitesse de ces ventilateurs, par mesure de précaution.	Éteignez le système et redémarrez-le. Si l'incident persiste, voir "Obtention d'aide" dans le document <i>Manuel du propriétaire</i> .
E1211	ROMB Batt	La batterie RAID est manquante ou endommagée, ou bien elle ne peut pas se recharger suite à un incident lié aux conditions thermiques.	Réinstallez le connecteur de la batterie RAID. Voir "Batterie RAID" et "Dépannage des incidents liés au refroidissement du système" dans le document <i>Manuel du propriétaire</i> .
E1625	PS AC Current	La source d'alimentation est en dehors des limites autorisées.	Vérifiez la source d'alimentation en CA.
E1711	PCI PERR B## D## F##	Le BIOS du système a renvoyé une erreur de parité PCI liée à un composant résidant dans l'espace de configuration PCI du bus ##, périphérique ##, fonction ##.	Retirez les cartes d'extension PCIe et remboîtez-les dans leur connecteur. Si l'incident persiste, voir "Dépannages des cartes d'extension" dans le document <i>Manuel du propriétaire</i> .
	PCI PERR Slot #	Le BIOS du système a renvoyé une erreur de parité PCI liée à un composant installé dans le logement PCIe indiqué.	Réinstallez la carte de montage pour cartes d'extension. Voir "Cartes de montage pour cartes d'extension" dans le document <i>Manuel du propriétaire</i> . Si le problème persiste, la carte de montage ou la carte système est défectueuse. Voir "Obtention d'aide" dans le document <i>Manuel du propriétaire</i> .

Tableau 1-2. Messages d'état affichés sur l'écran LCD (suite)

Code	Texte	Causes	Actions correctives
E1712	PCI SERR B## D## F## PCI SERR Slot n	Le BIOS du système a renvoyé une erreur système PCI liée à un composant résidant dans l'espace de configuration PCI du bus ##, périphérique ##, fonction ##. Le BIOS du système a renvoyé une erreur système PCI liée à un composant installé dans le logement indiqué.	Retirez les cartes d'extension PCIe et remboîtez-les dans leur connecteur. Si l'incident persiste, voir "Dépannage des cartes d'extension" dans le document <i>Manuel du propriétaire</i> . Réinstallez la carte de montage pour cartes d'extension. Voir "Cartes de montage pour cartes d'extension" dans le document <i>Manuel du propriétaire</i> . Si l'incident persiste, la carte de montage ou la carte système est défectueuse. Voir "Obtention d'aide" dans le document <i>Manuel du propriétaire</i> .
E171F	PCIe Fatal Err B## D## F## PCIe Fatal Err Slot #	Le BIOS du système a renvoyé une erreur fatale PCIe liée à un composant résidant dans l'espace de configuration PCIe du bus ##, périphérique ##, fonction ##. Le BIOS du système a renvoyé une erreur fatale PCIe liée à un composant installé dans le logement indiqué.	Retirez les cartes d'extension PCIe et remboîtez-les dans leur connecteur. Si l'incident persiste, voir "Dépannage des cartes d'extension" dans le document <i>Manuel du propriétaire</i> . Réinstallez la carte de montage pour cartes d'extension. Voir "Cartes de montage pour cartes d'extension" dans le document <i>Manuel du propriétaire</i> . Si le problème persiste, la carte de montage ou la carte système est défectueuse. Voir "Obtention d'aide" dans le document <i>Manuel du propriétaire</i> .

Tableau 1-2. Messages d'état affichés sur l'écran LCD (suite)

Code	Texte	Causes	Actions correctives
E1914	DRAC5 Conn2 Cbl	Le câble du contrôleur DRAC 5 est manquant ou déconnecté.	Reconnectez le câble. Voir "Installation d'une carte RAC" dans le document <i>Manuel du propriétaire</i> .
E1B01	USBn Overcurrent	Le périphérique connecté au port USB indiqué a provoqué une surtension.	Remboîtez le câble du périphérique. Si l'incident persiste, remplacez le périphérique ou retirez-le.
E2110	MBE DIMM # & #	L'une des deux barrettes DIMM du groupe indiqué présente une erreur de mémoire multibits (MBE).	Voir "Dépannage de la mémoire système" dans le document <i>Manuel du propriétaire</i> .
E2111	SBE Log Disable DIMM #	Le BIOS du système a désactivé la consignation des erreurs de mémoire portant sur un seul bit (SBE) jusqu'au prochain redémarrage du système. "#" représente la barrette DIMM indiquée par le BIOS.	Voir "Dépannage de la mémoire système" dans le document <i>Manuel du propriétaire</i> .
E2112	Mem Spare DIMM #	Le BIOS du système a activé la mémoire de réserve, car il a détecté un nombre d'erreurs trop important. "# & #" représente la paire de barrettes DIMM indiquée par le BIOS.	Voir "Dépannage de la mémoire système" dans le document <i>Manuel du propriétaire</i> .

Tableau 1-2. Messages d'état affichés sur l'écran LCD (suite)

Code	Texte	Causes	Actions correctives
I1915	Video Off (L'écran LCD affiche un arrière-plan bleu ou orange.)	La vidéo a été désactivée par l'utilisateur du contrôleur RAC.	Pour information uniquement.
I1916	Video Off in ## (L'écran LCD affiche un arrière-plan bleu ou orange.)	La vidéo sera désactivée dans xx secondes par l'utilisateur du contrôleur RAC.	Pour information uniquement.



REMARQUE : Chaque message de diagnostic affiché sur l'écran LCD est associé à une priorité. Les messages prioritaires sont affichés avant les autres.

Mise à jour du programme de configuration du système

Écran relatif à la mémoire

Le tableau 1-3 répertorie les options et les descriptions des champs qui apparaissent dans l'écran **Memory Information** (Informations sur la mémoire).

Tableau 1-3. Options de l'écran Memory Information (Informations sur la mémoire)

Option	Description
System Memory Size (Taille de la mémoire système)	Affiche la taille de la mémoire système.
System Memory Type (Type de mémoire système)	Affiche le type de mémoire système.
System Memory Speed (Vitesse de la mémoire système)	Affiche la vitesse de la mémoire système.

**Tableau 1-3. Options de l'écran Memory Information
(Informations sur la mémoire) (suite)**

Option	Description
Video Memory (Mémoire vidéo)	Affiche la taille de la mémoire vidéo
System Memory Testing (Test de la mémoire système)	Indique si la mémoire système doit être testée à chaque amorçage. Les options disponibles sont Enabled (Activé) et Disabled (Désactivé).
Redundant Memory (Mémoire redondante) (Option par défaut : Disabled [Désactivé])	Active ou désactive la fonction de mémoire redondante. Lorsque l'option Spare Mode (Mode réserve) est sélectionnée, la première rangée de chaque barrette DIMM est dédiée à la mémoire de réserve. Lorsque le champ Node Interleaving (Imbrication des nœuds) est activé, la fonction de mémoire redondante est désactivée.
Node Interleaving (Option par défaut : Disabled [Désactivé])	Lorsque ce champ est défini sur Enabled (Activé), l'imbrication de mémoire est prise en charge si une configuration de mémoire symétrique est installée. Si ce champ est défini sur Disabled (Désactivé), le système peut prendre en charge l'accès mémoire NUMA (Non-Uniform Memory Architecture [Architecture mémoire non uniforme]). REMARQUE : Si vous utilisez la fonction de mémoire redondante, le champ Node Interleaving (Imbrication de nœuds) doit être défini sur Disabled (Désactivé).
Low Power Mode (Mode d'économie d'énergie) (Option par défaut : Disabled [Désactivé])	Active ou désactive le mode d'économie d'énergie pour la mémoire. Si l'option Disabled (Désactivé) est sélectionnée, la mémoire fonctionne à sa vitesse maximale. Si l'option Enabled (Activé) est sélectionnée, la mémoire fonctionne à vitesse réduite afin d'économiser de l'énergie.

Écran CPU Information (Informations sur le processeur)

Le tableau 1-4 met à jour la description des options associées à la gestion de l'alimentation en fonction de la demande.

Tableau 1-4. Écran CPU Information (Informations sur le processeur)

Option	Description
Demand-Based Power Management (Gestion de l'alimentation à la demande) (Option par défaut : Enabled [Activé])	REMARQUE : Voir la documentation du système d'exploitation pour vérifier que cette fonction est prise en charge. Active ou désactive la gestion de l'alimentation à la demande. Si cette option est activée, les tables d'état des performances du processeur sont envoyées au système d'exploitation. Dans le cas contraire, aucune table n'est envoyée. Si l'un des processeurs ne prend pas en charge la gestion de l'alimentation en fonction de la demande, le champ est en lecture seule et est défini automatiquement sur Disabled (Désactivé).

Écran Integrated Devices (Périphériques intégrés)

Le tableau 1-5 répertorie les nouvelles options de l'écran **Integrated Devices** (Périphériques intégrés).

Tableau 1-5. Options de l'écran Integrated Devices (Périphériques intégrés)

Option	Description
Internal USB Port (Port USB interne) (Option par défaut : On [Activé])	Active ou désactive le port USB interne du système.

Tableau 1-5. Options de l'écran Integrated Devices (Périphériques intégrés) (suite)

Option	Description
OS Watchdog Timer (Temporisateur de surveillance du système d'exploitation) (Option par défaut : Disabled [Désactivé])	REMARQUE : Cette fonctionnalité est utilisable uniquement avec les systèmes d'exploitation prenant en charge les implémentations WDAT de la spécification ACPI (Advanced Configuration and Power Interface) 3.0b. Microsoft® Windows Server® 2008 prend cette fonction en charge, mais pas Windows Server 2003. Elle définit un temporisateur qui surveille l'activité du système d'exploitation et aide à sa restauration si le système cesse de répondre. Si l'option Enabled (Activé) est sélectionnée, le système d'exploitation est autorisé à initialiser ce temporisateur. Si l'option Disabled (Désactivé) est sélectionnée, le temporisateur n'est pas initialisé.
I/OAT DMA Engine (Moteur DMA I/O AT) (Option par défaut : Disabled [Désactivé])	Active ou désactive la technologie d'accélération des E/S (I/OAT). Si vous sélectionnez Enabled (Activé), la technologie I/OAT libère partiellement le processeur du travail de réception effectué pour le compte des applications utilisant TCP. Pour ce faire, elle décharge une partie de ce travail sur le moteur DMA.
System Interrupts Assignment (Option par défaut : Standard)	Ce champ contrôle l'affectation des interruptions associées aux périphériques PCI du système. L'option Distributed (Distribué) redéfinit le routage des interruptions de manière à réduire au maximum le partage des demandes d'interruption (IRQ).

Écran System Security (Sécurité du système)

Le tableau 1-6 répertorie les nouvelles options disponibles pour le système PowerEdge 2900 III.



REMARQUE : Les systèmes livrés en Chine ne sont pas équipés d'une puce TPM.




NOTICE: Avant d'activer l'option **TPM Security** (Sécurité TPM), vérifiez que le système d'exploitation prend cette fonction en charge.

Tableau 1-6. Nouvelles options de l'écran System Security (Sécurité du système)

Option	Description
TPM Security (Sécurité TPM) (Option par défaut : Off [Désactivé])	<p>Définit les modalités de déclaration de la puce TPM (Trusted Platform Module) dans le système.</p> <p>Lorsque l'option Off (Désactivé) est sélectionnée, la présence de la puce TPM n'est pas signalée au système d'exploitation.</p> <p>Lorsque l'option On with Pre-boot Measurements (Activée avec mesures pré-amorçage) est sélectionnée, le système signale la présence de la puce TPM au système d'exploitation et stocke les mesures pré-amorçage dans cette puce lors de l'autotest de démarrage, conformément aux normes du Trusted Computing Group.</p> <p>Lorsque l'option On without Pre-boot Measurements (Activé sans mesures pré-amorçage) est sélectionnée, le système signale la présence de la puce TPM au système d'exploitation mais n'effectue aucune mesure de pré-amorçage.</p>
TPM Activation (Activation de la puce TPM)	<p>Modifie l'état de fonctionnement de la puce TPM.</p> <p>Lorsque l'option Activate (Activer) est sélectionnée, la puce TPM est activée par défaut.</p> <p>Lorsque l'option Deactivate (Désactiver) est sélectionnée, la puce TPM est désactivée.</p> <p>L'état No Change (Pas de changement) ne lance aucune action. L'état de fonctionnement de la puce TPM reste inchangé (tous les paramètres utilisateur correspondants sont conservés).</p> <p>REMARQUE : Lorsque le champ TPM Security (Sécurité TPM) est défini sur Off (Désactivé), ce champ est uniquement accessible en lecture.</p>

Tableau 1-6. Nouvelles options de l'écran System Security (Sécurité du système) (suite)

Option	Description
TPM Clear (Effacement TPM) (Option par défaut : No)	<div style="display: flex; align-items: flex-start;"> <div style="margin-right: 10px;">  </div> <div> <p>NOTICE: L'effacement de la puce TPM entraîne la perte de toutes les clés de cryptage qu'elle contient. Cette option empêche le démarrage du système d'exploitation. Si les clés de cryptage ne peuvent pas être restaurées, des données risquent d'être perdues. Vous devez donc impérativement créer une copie de sauvegarde des clés TPM avant d'activer cette option.</p> <p>Si l'option Yes (Oui) est sélectionnée, le contenu intégral des clés TPM est effacé.</p> <p>REMARQUE : Lorsque le champ TPM Security (Sécurité TPM) est défini sur Off (Désactivé), ce champ est uniquement accessible en lecture.</p> </div> </div>

Écran des communications série

Le tableau 1-7 répertorie les informations relatives aux mises à jour de l'option par défaut Failsafe Baud Rate (Débit de la ligne de secours).

Tableau 1-7. Option de l'écran Serial Communication (Communication série)

Option	Description
Failsafe Baud Rate (Débit de la ligne de secours) (Option par défaut : 115200)	Indique le débit de la ligne de secours utilisé pour la redirection de console lorsque ce débit ne peut pas être négocié automatiquement avec le terminal distant. Ce débit ne doit pas être modifié.

Informations concernant le système d'exploitation

Énumération des NIC

Dans les versions du système d'exploitation Linux utilisant le gestionnaire de périphériques du noyau **udev**, les NIC ne sont pas répertoriés de la même façon que sous les versions précédentes utilisant le gestionnaire de périphériques **devfs**. Sous Red Hat® Enterprise Linux® (version 4 ou 5) ou SUSE® Linux Enterprise Server 9 ou 10, l'ordre des NIC est inversé, ce qui n'a aucune incidence sur le fonctionnement du système. Par exemple, le NIC1 est configuré comme **eth1** au lieu de **eth0**, le NIC2 comme **eth0** au lieu de **eth1**, etc. Pour savoir comment modifier l'ordre d'énumération par défaut des périphériques, voir le livre blanc “Dénomination des cartes d'interface réseau”, disponible sur le site linux.dell.com.

Prise en charge des lecteurs optiques SATA sous RHEL3 et SLES9

Les lecteurs optiques SATA sont pris en charge par RHEL 3 Update 8 et SLES 9 SP4. Les versions antérieures de ces systèmes d'exploitation ne sont pas compatibles avec les lecteurs optiques SATA.

Informations relatives au processeur incorrectes sous RHEL

- Si un processeur Intel Xeon 54xx est installé sur un système équipé de RHEL version 4 update 5 et si la commutation basée sur la demande (DBS) est activée dans le BIOS, la fréquence indiquée par `cat/proc/cpuinfo` et `cat/sys/devices/system/cpu/cpuxx/cpufreq/scaling_cur_freq` pour le processeur est incorrecte. (La vitesse réelle du processeur n'est pas affectée.)
- Si un processeur Intel Xeon 54xx est installé sur un système équipé de RHEL version 3 update 9, les informations sur le processeur affichées par `/proc/cpuinfo` sont incorrectes. (La vitesse réelle du processeur n'est pas affectée.)

Cet incident sera résolu dans une prochaine mise à jour de RHEL version 4.

Support système pour Microsoft Windows 2000

Si vous faites appel à l'outil *System Build and Update Utility* (Utilitaire de mise à jour et de compilation du système), Microsoft® Windows® 2000 est inclus dans la liste des systèmes d'exploitation répertoriés dans l'onglet **Server OS Install** (Installation du système d'exploitation). Ce système d'exploitation est pris en charge par les PowerEdge 2900 et 2900 II, mais pas par le PowerEdge 2900 III.

Mises à jour du document *Manuel du propriétaire*

Installation du processeur

Lors de l'installation du processeur, vous devez fermer le cadre de protection avant de repositionner le levier d'éjection.

Options disponibles dans les tests personnalisés des diagnostics du système

Dans la fenêtre **Customize** (Personnaliser) des diagnostics du système, l'option **Log output file pathname** (Chemin du journal de sortie) vous permet de définir l'emplacement dans lequel le journal de test doit être sauvegardé sur la disquette ou la clé de mémoire USB. Ce fichier ne peut pas être enregistré sur le disque dur.

Mise à jour des instructions de remplacement de la carte système (maintenance uniquement)



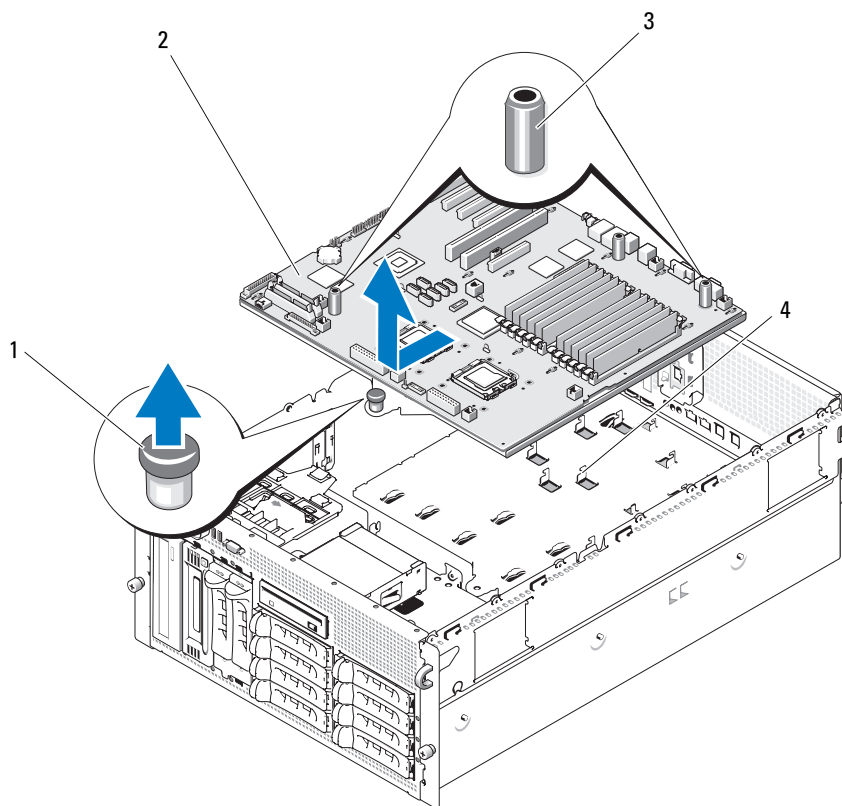
PRÉCAUTION : Seuls les techniciens de maintenance qualifiés sont habilités à retirer le capot du système pour accéder aux composants internes. Voir le document *Guide d'informations sur le produit* pour obtenir des informations détaillées sur les consignes de sécurité, les interventions dans l'ordinateur et la protection contre les décharges électrostatiques.

La procédure de remplacement de la carte système décrite dans le document *Hardware Owner's Manual* (Manuel du propriétaire) a été modifiée. Lors du retrait ou de l'installation de la carte système, vous devez soulever cette dernière ou la maintenir à l'aide du plot de fixation et des poignées (voir figure 1-3).



NOTICE: Pour éviter d'endommager la carte système, ne la soulevez pas en saisissant les supports de fixation des barrettes de mémoire, ni tout autre composant. Utilisez uniquement les poignées prévues à cet effet.

Figure 1-3. Retrait de la carte système



1 Plot de fixation

2 Carte système

3 Poignées de la carte système (2)

4 Crochets du châssis

Dell™ PowerEdge™
2900-Systeme

Aktuelle Informationen



Anmerkungen, Hinweise und Vorsichtshinweise



ANMERKUNG: Eine ANMERKUNG macht auf wichtige Informationen aufmerksam, mit denen Sie das System besser einsetzen können.



HINWEIS: Ein HINWEIS warnt vor möglichen Beschädigungen der Hardware oder vor Datenverlust und zeigt auf, wie derartige Probleme vermieden werden können.



VORSICHT: Hiermit werden Sie auf eine potenziell gefährliche Situation hingewiesen, die zu **Sachschäden, Verletzungen oder zum Tod** führen könnte.

Irrtümer und technische Änderungen vorbehalten.

© 2006–2009 Dell Inc. Alle Rechte vorbehalten.

Die Vervielfältigung oder Wiedergabe dieser Materialien in jeglicher Weise ohne vorherige schriftliche Genehmigung von Dell Inc. ist strengstens untersagt.

Marken in diesem Text: *Dell*, das *DELL* Logo und *PowerEdge* sind Marken von Dell Inc.; *Intel* und *Xeon* sind eingetragene Marken der Intel Corporation; *Microsoft*, *Windows* und *Windows Server* sind Marken oder eingetragene Marken der Microsoft Corporation in den USA und/oder anderen Ländern; *Red Hat* und *Red Hat Enterprise Linux* sind eingetragene Marken von Red Hat, Inc.; *SUSE* ist eine eingetragene Marke von Novell Inc.

Alle anderen in dieser Dokumentation genannten Marken und Handelsbezeichnungen sind Eigentum der entsprechenden Hersteller und Firmen. Dell Inc. erhebt keinen Anspruch auf Marken und Handelsbezeichnungen mit Ausnahme der eigenen.

Inhalt

PowerEdge 2900 III – Neue Systemmerkmale	83
Neue Leistungsmerkmale	83
Neue E/A- und Datenspeicherungsmerkmale	83
Neue Sicherheitsmerkmale	84
Optionaler interner USB-Speicherstick	84
Installieren des optionalen internen USB-Speichersticks	85
Prozessor-Upgrades – PowerEdge 2900 II- und PowerEdge 2900 III-Systeme	87
Systemplatinaustausch – Schutz verschlüsselter Daten	87
Aktualisierung von Systemmeldungen	88
Ergänzende Informationen zu LCD-Statusmeldungen	94
Aktualisierung des System-Setup-Programms	99
Bildschirm „Memory“ (Speicher).	99
Bildschirm „CPU-Information“ (Prozessorinformationen).	100
Bildschirm „Integrated Devices“ (Integrierte Geräte).	101
Bildschirm „System Security“ (Systemsicherheit)	102
Bildschirm „Serial Communication“	103

Informationen zum Betriebssystem	104
Numerierung der NICs	104
Unterstützung optischer SATA-Laufwerke unter RHEL3 und SLES9.	104
RHEL – Unzutreffende Prozessor- Informationen	104
System-Support für Microsoft Windows 2000.	105
Aktualisierungen des Hardware- Benutzerhandbuchs	105
Prozessor installieren.	105
Benutzerdefinierte Systemdiagnose- Testoptionen	105
Aktuelle Informationen zum Systemplatinen- austausch (nur für Service)	105

Dieses Dokument enthält aktuelle Informationen zum System.

Folgende Themen werden behandelt:

- Neue Systemmerkmale bei PowerEdge™ 2900 III-Systemen
- Interner Anschluss für USB-Speicherstick bei PowerEdge 2900 III-Systemen
- Prozessor-Upgrades für PowerEdge 2900 II- und PowerEdge 2900 III-Systeme
- Systemplatinaustausch – Schutz verschlüsselter Daten
- Aktualisierung von Systemmeldungen für PowerEdge 2900 III-System
- Aktualisierung von LCD-Statusmeldungen für PowerEdge 2900 III-Systeme
- Aktualisierung des System-Setup-Programms für PowerEdge 2900 III-Systeme
- Informationen zum Betriebssystem
- Aktualisierungen des *Hardware-Benutzerhandbuchs*
- Systemplatinaustausch (nur für Service)

PowerEdge 2900 III – Neue Systemmerkmale

Neue Leistungsmerkmale

- Zwei Dual-Core- oder Quad-Core-Prozessoren des Typs Intel® Xeon®.

Neue E/A- und Datenspeicherungsmerkmale

- Optionaler Intel Gigabit-Ethernet-Netzwerkadapter mit vier Ports; unterstützt Datenübertragungsraten von 10 MBit/s, 100 MBit/s und 1000-MBit/s und Fernstart über iSCSI
- Unterstützung für 10-Gb-Ethernet-Karten
- Ein interner USB 2.0-konformer Anschluss für ein optionales startfähiges USB-Flash-Laufwerk oder einen USB-Speicherstick
- Unterstützung für optionale SAS 6i/R- und PERC 6i-Adapter

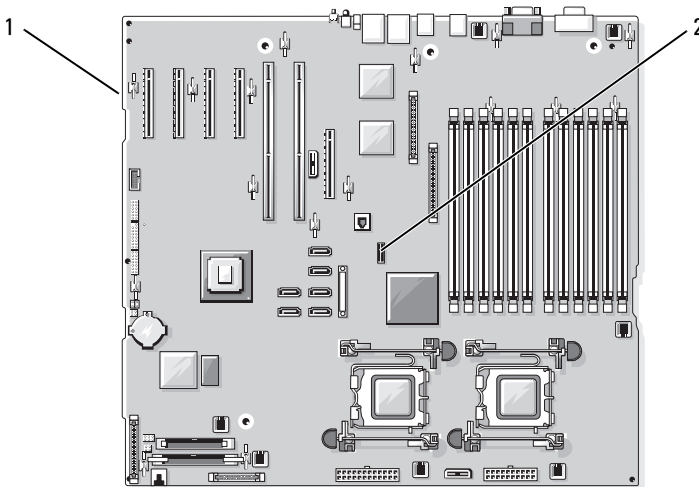
Neue Sicherheitsmerkmale

- TPM (Trusted Program Module)-Unterstützung für zusätzliche Sicherheit
- Optionale Unterstützung für Systemstart über iSCSI

Optionaler interner USB-Speicherstick

Das PowerEdge 2900 III-System verfügt über einen internen USB-Anschluss auf der Systemplatine für einen USB-Speicherstick (siehe Abbildung 1-1). Der USB-Speicherstick lässt sich als Startgerät, Sicherheitsschlüssel oder Massenspeichergerät einsetzen. Um den internen USB-Anschluss zu verwenden, muss die Option **Internal USB Port** (Interner USB-Port) im Bildschirm **Integrated Devices** (Integrierte Geräte) des System-Setup-Programms aktiviert sein. Siehe „Bildschirm „Integrated Devices“ (Integrierte Geräte)“ auf Seite 101.

Abbildung 1-1. Position des internen USB-Anschlusses



1 Systemplatine

2 Position des internen USB-Anchlusses

Um vom USB-Speicherstick zu starten, müssen Sie den USB-Speicherstick mit einem Boot-Image konfigurieren und den USB-Speicherstick in der Startreihenfolge des System-Setup-Programms spezifizieren. Siehe „Verwenden des System-Setup-Programms“ im *Hardware-Benutzerhandbuch*. Informationen zum Erstellen einer startfähigen Datei auf dem USB-Speicherstick finden Sie in der zugehörigen Dokumentation.



ANMERKUNG: USB-Sticks, die mehrere LUNs (logische Einheitnummern) enthalten, müssen mit dem vom Hersteller des betreffenden Sticks bereitgestellten Formatierungsprogramm formatiert werden.



HINWEIS: Um zu vermeiden, dass der USB-Stick andere interne Systemkomponenten behindert, darf er maximal die folgenden Abmessungen aufweisen: 12,7 mm Stärke x 30,48 mm Breite x 71,12 mm Länge.

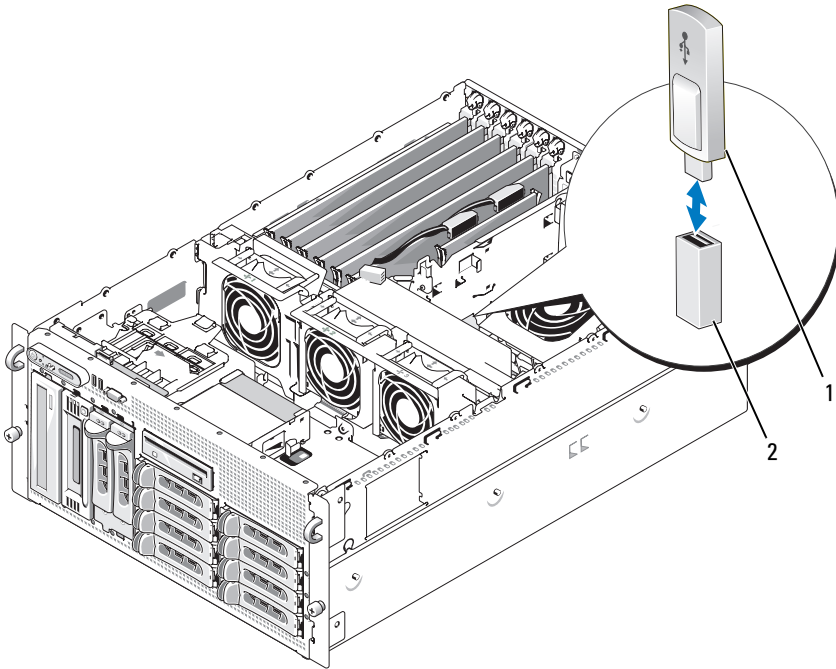
Installieren des optionalen internen USB-Speichersticks



VORSICHT: Nur ausgebildete Service-Techniker dürfen die Gehäuseabdeckung entfernen und auf die Komponenten im Inneren des Systems zugreifen. Ausführliche Informationen zu den Sicherheitsvorkehrungen beim Arbeiten im Innern des Computers und zum Schutz vor elektrischer Entladung finden Sie im *Produktinformationshandbuch*.

- 1 Schalten Sie das System und alle angeschlossenen Peripheriegeräte aus und trennen Sie das System vom Stromnetz.
- 2 Öffnen Sie das System. Siehe „Öffnen des Systems“ im *Hardware-Benutzerhandbuch*.
- 3 Machen Sie den USB-Anschluss auf der Systemplatine auffindig, und setzen Sie den USB-Speicherstick in den USB-Anschluss ein. Siehe Abbildung 1-2.

Abbildung 1-2. Internen USB-Stick installieren



1 USB-Speicherstick 2 Interner USB-Anschluss

- 4 Schließen Sie das System. Siehe „Schließen des Systems“ im *Hardware-Benutzerhandbuch*.
- 5 Verbinden Sie das System mit dem Netzstrom und starten Sie das System neu.
- 6 Rufen Sie das System-Setup-Programm auf und überprüfen Sie, ob der USB-Stick vom System erkannt wurde. Siehe „Verwenden des System-Setup-Programms“ im *Hardware-Benutzerhandbuch*.

Prozessor-Upgrades – PowerEdge 2900 II- und PowerEdge 2900 III-Systeme

- Wenn Ihr Systemgehäuse an der Vorderseite mit einer „II“ gekennzeichnet ist, kann Ihr System auf die Dual Core-Prozessoren der Reihe Intel Xeon 5100 und die Quad-Core-Prozessoren der Reihe Intel Xeon 5300 aktualisiert werden.
- Ist Ihr Systemgehäuse an der Vorderseite mit einer „III“ gekennzeichnet, so kann Ihr System auf die Dual Core-Prozessoren der Reihen Intel Xeon 5100 und 5200 sowie die Quad-Core-Prozessoren der Reihen Intel Xeon 5300 und 5400 aktualisiert werden.

Informationen über die neuesten Prozessorupgrade-Optionen für Ihr System erhalten Sie unter support.dell.com.

Systemplatinaustausch – Schutz verschlüsselter Daten

Bei PowerEdge 2900 III-Systemen mit dem Betriebssystem Windows Server® 2008 können Sie den Festplatteninhalt mit Verschlüsselungsprogrammen wie BitLocker schützen.

Wenn Sie das TPM mit einem Verschlüsselungsprogramm verwenden, werden Sie aufgefordert, während des System-Setups einen Wiederherstellungsschlüssel zu erstellen. Speichern Sie diesen Wiederherstellungsschlüssel, und verwahren Sie ihn sorgfältig. Sollte es einmal erforderlich sein, die Systemplatine zu ersetzen, müssen Sie den Wiederherstellungsschlüssel zum Neustarten des Systems angeben, bevor Sie auf die verschlüsselten Dateien auf den Festplattenlaufwerken zugreifen können.

Aktualisierung von Systemmeldungen

Tabelle 1-1 enthält neue Systemmeldungen für PowerEdge 2900 III-Systeme sowie die wahrscheinliche Ursache und die geeignete Korrekturmaßnahme, wenn die betreffende Meldung angezeigt wird.


 **VORSICHT: Nur zugelassene Servicetechniker dürfen die Gehäuseabdeckung entfernen und auf die Komponenten im Innern des Systems zugreifen. Ausführliche Informationen zu den Sicherheitsvorkehrungen beim Arbeiten im Innern des Computers und zum Schutz vor elektrischer Entladung finden Sie im *Produktinformationshandbuch*.**

Tabelle 1-1. Systemmeldungen

Meldung	Ursachen	Korrekturmaßnahmen
Alert! Node Interleaving disabled! Memory configuration does not support Node Interleaving.	Die Speicherkonfiguration unterstützt kein Knoten-Interleaving, oder die Konfiguration wurde geändert (zum Beispiel ein defektes DIMM-Modul), sodass kein Knoten-Interleaving erfolgen kann. Das System läuft, jedoch mit eingeschränkter Funktionalität.	Stellen Sie sicher, dass die Speichermodule in einer Konfiguration installiert werden, die Knoten-Interleaving unterstützt. Überprüfen Sie weitere Systemmeldungen, um mögliche andere Ursachen zu erkennen. Hinweise zur Speicherkonfiguration finden Sie unter „Allgemeine Richtlinien zur Installation von Speichermodulen“ im <i>Hardware-Benutzerhandbuch</i> . Wenn das Problem weiterhin besteht, lesen Sie den Abschnitt „Fehlerbehebung beim Systemspeicher“ im <i>Hardware-Benutzerhandbuch</i> .

Tabelle 1-1. Systemmeldungen (fortgesetzt)

Meldung	Ursachen	Korrekturmaßnahmen
!!*** Error: Remote Access Controller initialization failure *** RAC virtual USB devices may not be available...	Initialisierungsfehler des Remote-Access-Controllers.	Stellen Sie sicher, dass der Remote-Access-Controller ordnungsgemäß installiert ist. Siehe „Installieren einer RAC-Karte“ im <i>Hardware-Benutzerhandbuch</i> .
Invalid PCIe card found in the Internal_Storage slot!	Das System wurde angehalten, weil eine unzulässige PCIe-Erweiterungskarte im dedizierten Speichercontrollersteckplatz installiert ist.	Entfernen Sie die PCIe-Erweiterungskarte, und installieren Sie den internen SAS-Controller im vorgesehenen Steckplatz.
No boot device available	Fehlerhaftes Subsystem für optisches Laufwerk, defekte Festplatte oder fehlerhaftes Festplattensubsystem, oder kein startfähiger USB-Stick installiert.	Verwenden Sie einen startfähigen USB-Stick, eine startfähige CD oder ein startfähiges Festplattenlaufwerk. Hinweise zum Festlegen der Startlaufwerk-Reihenfolge finden Sie unter „Verwenden des System-Setup-Programms“ im <i>Hardware-Benutzerhandbuch</i> .
PCI BIOS failed to install	Prüfsummenfehler bei PCIe-Geräte-BIOS (Options-ROM) während des Shadowing erkannt. Lose Kabelverbindungen zu Erweiterungskarte(n); fehlerhafte oder falsch installierte Erweiterungskarte(n).	Setzen Sie die Erweiterungskarte(n) neu ein. Stellen Sie sicher, dass alle erforderlichen Kabel sicher mit den Erweiterungskarten verbunden sind. Wenn das Problem weiterhin besteht, lesen Sie den Abschnitt „Fehlerbehebung bei System-Erweiterungskarten“ im <i>Hardware-Benutzerhandbuch</i> .

Tabelle 1-1. Systemmeldungen (fortgesetzt)

Meldung	Ursachen	Korrekturmaßnahmen
PCIe Degraded Link Width Error: Embedded device Expected Link Width is n Actual Link Width is n	Fehlerhafte Systemplatine oder Riserplatine.	Lesen Sie den Abschnitt „Wie Sie Hilfe bekommen“ im <i>Hardware-Benutzerhandbuch</i> .
PCIe Degraded Link Width Error: Integrated device Expected Link Width is n Actual Link Width is n	Das angegebene PCIe-Gerät ist fehlerhaft oder falsch installiert.	Falls es sich um eine SAS-Controllerzusatzkarte handelt, setzen Sie die Karte im dedizierten PCIe-Anschluss neu ein. Siehe „Installation einer SAS-Controllerzusatzkarte“ im <i>Hardware-Benutzerhandbuch</i> . Wenn das Problem weiterhin besteht, lesen Sie den Abschnitt „Wie Sie Hilfe bekommen“ im <i>Hardware-Benutzerhandbuch</i> .
PCIe Degraded Link Width Error: Slot n Expected Link Width is n Actual Link Width is n	Fehlerhafte oder nicht ordnungsgemäß installierte PCIe-Erweiterungskarte im angegebenen Steckplatz.	Setzen Sie die PCIe-Karte neu in den angegebenen Steckplatz ein. Nähere Hinweise erhalten Sie im Abschnitt „Erweiterungskarten“ im <i>Hardware-Benutzerhandbuch</i> . Wenn das Problem weiterhin besteht, lesen Sie den Abschnitt „Wie Sie Hilfe bekommen“ im <i>Hardware-Benutzerhandbuch</i> .
PCIe Training Error: Embedded device	Fehlerhafte Systemplatine oder Riserplatine.	Lesen Sie den Abschnitt „Wie Sie Hilfe bekommen“ im <i>Hardware-Benutzerhandbuch</i> .

Tabelle 1-1. Systemmeldungen (fortgesetzt)

Meldung	Ursachen	Korrekturmaßnahmen
PCIe Training Error: Integrated device	Das angegebene PCIe-Gerät ist fehlerhaft oder falsch installiert.	Falls es sich um eine SAS-Controllerzusatzkarte handelt, setzen Sie die Karte im dedizierten PCIe-Anschluss neu ein. Siehe „Installation einer SAS-Controllerzusatzkarte“ im <i>Hardware-Benutzerhandbuch</i> . Wenn das Problem weiterhin besteht, lesen Sie den Abschnitt „Wie Sie Hilfe bekommen“ im <i>Hardware-Benutzerhandbuch</i> .
PCIe Training Error: Slot n	Fehlerhafte oder nicht ordnungsgemäß installierte PCIe-Erweiterungskarte im angegebenen Steckplatz.	Setzen Sie die PCIe-Karte neu in den angegebenen Steckplatz ein. Nähere Hinweise erhalten Sie im Abschnitt „Erweiterungskarten“ im <i>Hardware-Benutzerhandbuch</i> . Wenn das Problem weiterhin besteht, lesen Sie den Abschnitt „Wie Sie Hilfe bekommen“ im <i>Hardware-Benutzerhandbuch</i> .
Remote Access Controller cable error or incorrect card in the RAC slot.	Die RAC-Kabel sind nicht angeschlossen, oder die RAC-Karte ist im falschen Erweiterungssteckplatz installiert.	Stellen Sie sicher, dass die RAC-Kabel angeschlossen sind und die RAC-Karte im vorgesehenen Erweiterungssteckplatz installiert ist. Siehe „Installieren einer RAC-Karte“ im <i>Hardware-Benutzerhandbuch</i> .

ANMERKUNG: Alle TPM-Informationshinweise werden angezeigt, nachdem das BMC-Options-ROM während des POST geladen wurde.

Tabelle 1-1. Systemmeldungen (fortgesetzt)

Meldung	Ursachen	Korrekturmaßnahmen
TPM configuration operation honored.	Das System wird jetzt zurückgesetzt.	Dient nur zur Information.
TPM Failure	Eine TPM-Funktion ist fehlgeschlagen (Trusted Platform Module).	Lesen Sie den Abschnitt „Wie Sie Hilfe bekommen“ im <i>Hardware-Benutzerhandbuch</i> .
TPM operation is pending. Press I to Ignore or M to Modify to allow this change and reset the system. WARNING: Modifying could prevent security.	Es wurde eine Konfigurationsänderung angefordert.	Drücken Sie auf I , um den Systemstart fortzusetzen. Drücken Sie auf M , um die TPM-Einstellung zu ändern und neu zu starten.
Warning: Following faulty DIMMs are disabled: DIMM n_1 n_2 Total memory size is reduced.	Fehlerhafte oder falsch eingesetzte Speichermodule. DIMMs werden paarweise deaktiviert, wie angegeben durch n_1 und n_2 . Überprüfen Sie beide DIMMs auf möglichen Defekt.	Siehe „Fehlerbehebung beim Systemspeicher“ im <i>Hardware-Benutzerhandbuch</i> .
Warning: A fatal error has caused system reset! Please check the system event log!	Ein schwerwiegender Systemfehler ist aufgetreten und führte zum Systemneustart.	Überprüfen Sie das SEL auf Informationen, die während des Fehlers protokolliert wurden. Im entsprechenden Abschnitt zur Fehlerbehebung unter „Störungen des Systems beheben“ im <i>Hardware-Benutzerhandbuch</i> finden Sie Informationen zu defekten Komponenten, die im SEL vermerkt sind.

Tabelle 1-1. Systemmeldungen (fortgesetzt)

Meldung	Ursachen	Korrekturmaßnahmen
Warning! No micro code update loaded for processor n	Microcode-Update fehlgeschlagen.	Aktualisieren Sie die BIOS-Firmware. Lesen Sie den Abschnitt „Wie Sie Hilfe bekommen“ im <i>Hardware-Benutzerhandbuch</i> .
Warning: The installed memory configuration is not optimal. For more information on valid memory configurations, please see the system documentation on the technical support web site.	Unzulässige Speicher-konfiguration erkannt. Das System läuft, jedoch mit eingeschränkter Funktionalität.	Stellen Sie sicher, dass die Speichermodule in einer gültigen Konfiguration installiert sind. Siehe „Allgemeine Richtlinien zur Installation von Speichermodulen“ im <i>Hardware-Benutzerhandbuch</i> . Wenn das Problem weiterhin besteht, lesen Sie den Abschnitt „Fehlerbehebung beim Systemspeicher“ im <i>Hardware-Benutzerhandbuch</i> .
Write fault Write fault on selected drive	Fehlerhaftes USB-Gerät, USB-Medium, optisches Laufwerk, Festplattenlaufwerk oder Festplatten-subsystem.	Ersetzen Sie das fehlerhafte Medium. Schließen Sie das USB-Gerät bzw. USB-Kabel neu an. Bei Problemen mit dem Festplattenlaufwerk lesen Sie den Abschnitt „Fehlerbehebung bei einem Festplattenlaufwerk“ im <i>Hardware-Benutzerhandbuch</i> .

Ergänzende Informationen zu LCD-Statusmeldungen

Tabelle 1-2 enthält aktualisierte Meldungen der LCD-Statusanzeige, die bei PowerEdge 2900 III-Systemen angezeigt werden können, sowie Informationen zu den möglichen Ursachen. Die LCD-Meldungen beziehen sich auf Ereignisse, die im Systemereignisprotokoll (System Event Log = SEL) aufgezeichnet werden. Informationen über das SEL und über die Konfiguration der Systemverwaltungseinstellungen finden Sie in der Dokumentation der Systemverwaltungssoftware.

Tabelle 1-2. Meldungen der LCD-Statusanzeige

Code	Text	Ursachen	Korrekturmaßnahmen
-	<i>SYSTEM NAME</i>	<p>Eine 62-stellige Zeichenkette, die im System-Setup-Programm definiert werden kann.</p> <p>Der <i>SYSTEMNAME</i> wird unter den folgenden Bedingungen angezeigt:</p> <ul style="list-style-type: none"> • Das System ist eingeschaltet. • Die Stromzufuhr ist ausgeschaltet, und aktive Fehler werden angezeigt. 	<p>Diese Meldung dient ausschließlich zur Information.</p> <p>Sie können die System-ID und den Namen im System-Setup-Programm ändern. Siehe „Verwenden des System-Setup-Programms“ im <i>Hardware-Benutzerhandbuch</i>.</p>
E1000	FAILSAFE, Call Support	Überprüfen Sie das Systemereignisprotokoll auf kritische Fehlerereignisse.	Lesen Sie den Abschnitt „Wie Sie Hilfe bekommen“ im <i>Hardware-Benutzerhandbuch</i> .
E1118	CPU Temp Interface	Der BMC kann den Temperaturzustand der CPU(s) nicht bestimmen. Zur Vorbeugung maximiert der BMC die CPU-Lüfterdrehzahl.	Schalten Sie das System aus und starten Sie das System neu. Wenn das Problem weiterhin besteht, lesen Sie den Abschnitt „Wie Sie Hilfe bekommen“ im <i>Hardware-Benutzerhandbuch</i> .

Tabelle 1-2. Meldungen der LCD-Statusanzeige (fortgesetzt)

Code	Text	Ursachen	Korrekturmaßnahmen
E1211	ROMB Batt	RAID-Akku ist nicht vorhanden, fehlerhaft, oder lässt sich aufgrund von Temperaturproblemen nicht aufladen.	Setzen Sie den RAID-Akkustecker neu ein. Lesen Sie die Abschnitte „RAID-Batterie“ und „Störungen der Systemkühlung beheben“ im <i>Hardware-Benutzerhandbuch</i> .
E1625	PS AC Current	Die Spannungsquelle ist außerhalb des zulässigen Bereichs.	Überprüfen Sie die Wechselstrom-Spannungsquelle.
E1711	PCI PERR B## D## F##	Das System-BIOS hat einen PCI-Paritätsfehler bei einer Komponente im PCI-Konfigurationsraum bei Bus Nr. ##, Gerät Nr. ##, Funktion Nr. ## gemeldet.	Entfernen Sie die PCIe-Erweiterungskarten, und setzen Sie sie neu ein. Wenn das Problem weiterhin besteht, lesen Sie den Abschnitt „Fehlerbehebung bei einer Erweiterungskarte“ im <i>Hardware-Benutzerhandbuch</i> .
	PCI PERR Slot #	Das System-BIOS hat einen PCI-Paritätsfehler bei einer Komponente im angegebenen PCIe-Steckplatz gemeldet.	Installieren Sie den Erweiterungskarten-Riser. Nähere Hinweise erhalten Sie im Abschnitt „Erweiterungskarten-Riser“ im <i>Hardware-Benutzerhandbuch</i> . Wenn das Problem weiterhin besteht, ist die Riser-Karte oder die Systemplatine defekt. Lesen Sie den Abschnitt „Wie Sie Hilfe bekommen“ im <i>Hardware-Benutzerhandbuch</i> .

Tabelle 1-2. Meldungen der LCD-Statusanzeige (fortgesetzt)

Code	Text	Ursachen	Korrekturmaßnahmen
E1712	PCI SERR B## D## F##	Das System-BIOS hat einen PCI-Systemfehler bei einer Komponente im PCI-Konfigurationsraum bei Bus Nr. ##, Gerät Nr. ##, Funktion Nr. ## gemeldet.	Entfernen Sie die PCIe-Erweiterungskarten, und setzen Sie sie neu ein. Wenn das Problem weiterhin besteht, lesen Sie den Abschnitt „Fehlerbehebung bei Erweiterungskarten“ im <i>Hardware-Benutzerhandbuch</i> .
	PCI SERR Slot #	Das System-BIOS hat einen PCI-Systemfehler bei einer Komponente im angegebenen Steckplatz gemeldet.	Installieren Sie den Erweiterungskarten-Riser. Nähere Hinweise erhalten Sie im Abschnitt „Erweiterungskarten-Riser“ im <i>Hardware-Benutzerhandbuch</i> . Wenn das Problem weiterhin besteht, ist die Riser-Karte oder die Systemplatine defekt. Lesen Sie den Abschnitt „Wie Sie Hilfe bekommen“ im <i>Hardware-Benutzerhandbuch</i> .

Tabelle 1-2. Meldungen der LCD-Statusanzeige (fortgesetzt)

Code	Text	Ursachen	Korrekturmaßnahmen
E171F	PCIE Fatal Err B## D## F##	Das System-BIOS hat einen schwerwiegenden PCIe-Fehler bei einer Komponente im PCIe-Konfigurationsraum bei Bus Nr. ##, Gerät Nr. ##, Funktion Nr. ## gemeldet.	Entfernen Sie die PCIe-Erweiterungskarten, und setzen Sie sie neu ein. Wenn das Problem weiterhin besteht, lesen Sie den Abschnitt „Fehlerbehebung bei Erweiterungskarten“ im <i>Hardware-Benutzerhandbuch</i> .
	PCIE Fatal Err Slot #	Das System-BIOS hat einen schwerwiegenden PCIe-Fehler bei einer Komponente im angegebenen Steckplatz gemeldet.	Installieren Sie den Erweiterungskarten-Riser. Nähere Hinweise erhalten Sie im Abschnitt „Erweiterungskarten-Riser“ im <i>Hardware-Benutzerhandbuch</i> . Wenn das Problem weiterhin besteht, ist die Riser-Karte oder die Systemplatine defekt. Lesen Sie den Abschnitt „Wie Sie Hilfe bekommen“ im <i>Hardware-Benutzerhandbuch</i> .
E1914	DRAC5 Conn2 Cb1	DRAC-5-Kabel nicht vorhanden oder getrennt.	Schließen Sie das Kabel wieder an. Siehe „Installieren einer RAC-Karte“ im <i>Hardware-Benutzerhandbuch</i> .
E1B01	USB# Overcurrent	Gerät am angegebenen USB-Port hat einen Überstromzustand verursacht.	Schließen Sie das Gerätekabel neu an. Wenn das Problem weiterhin besteht, ersetzen oder entfernen Sie das Gerät.

Tabelle 1-2. Meldungen der LCD-Statusanzeige (fortgesetzt)

Code	Text	Ursachen	Korrekturmaßnahmen
E2110	MBE DIMM # & #	Eines der beiden angegebenen DIMM-Speichermodule weist einen Speicher-Mehrfachbitfehler (Multi-Bit Error = MBE) auf.	Siehe „Fehlerbehebung beim Systemspeicher“ im <i>Hardware-Benutzerhandbuch</i> .
E2111	SBE Log Disable DIMM #	Das System-BIOS hat die Protokollierung von Speicher-Einfachbitfehlern (Single-Bit Error = SBE) deaktiviert und setzt die SBE-Protokollierung erst beim nächsten Neustart fort. „#“ ist das betreffende DIMM-Modul.	Siehe „Fehlerbehebung beim Systemspeicher“ im <i>Hardware-Benutzerhandbuch</i> .
E2112	Mem Spare DIMM #	Das System-BIOS hat den Speicher ausgelassen, weil darin zu viele Fehler festgestellt wurden. „# & #“ ist das betreffende DIMM-Modulpaar.	Siehe „Fehlerbehebung beim Systemspeicher“ im <i>Hardware-Benutzerhandbuch</i> .
I1915	Video Off (LCD leuchtet mit blauem oder gelbem Hintergrund.)	Die Bildschirmausgabe wurde vom RAC-Remotebenutzer ausgeschaltet.	Dient nur zur Information.
I1916	Video Off in ## (LCD leuchtet mit blauem oder gelbem Hintergrund.)	Die Bildschirmausgabe wird in xx Sekunden vom RAC-Remotebenutzer ausgeschaltet.	Dient nur zur Information.



ANMERKUNG: Jeder Diagnosemeldung auf der LCD-Anzeige wird eine Priorität zugeordnet. Meldungen mit der höchsten Priorität haben Vorrang vor allen Meldungen mit geringerer Priorität.

Aktualisierung des System-Setup-Programms

Bildschirm „Memory“ (Speicher)

Tabelle 1-3 enthält die Beschreibungen zu den Informationsfeldern, die im Bildschirm **Memory Information** (Speicherinformationen) angezeigt werden.

Tabelle 1-3. Optionen im Bildschirm „Memory Information“ (Speicherinformationen)

Option	Beschreibung
System Memory Size	Zeigt die Größe des Systemspeichers an.
System Memory Type	Zeigt den Typ des Systemspeichers an.
System Memory Speed	Zeigt die Systemspeichertaktrate an.
Video Memory	Zeigt die Größe des Grafikspeichers an.
System Memory Testing	Legt fest, ob Systemspeichertests beim Start ausgeführt werden. Die Optionen sind Enabled und Disabled .
Redundant Memory (Standardeinstellung Disabled)	Aktiviert oder deaktiviert die Funktion Redundanter Speicher. Bei der Einstellung Spare Mode (Ersatzspeichermodus) wird der erste Rang auf jedem DIMM-Modul als Ersatzspeicher reserviert. Die Speicherredundanz ist deaktiviert, wenn das Feld für Node-Interleaving aktiviert ist.
Node Interleaving (Standardeinstellung Disabled)	Wenn diese Option aktiv ist (Einstellung Enabled), wird Speicher-Interleaving unterstützt, wenn eine symmetrische Speicherkonfiguration installiert ist. Wenn die Option deaktiviert ist (Einstellung Disabled), unterstützt das System asymmetrische Speicherkonfigurationen (NUMA = Non-Uniform Memory Architecture). ANMERKUNG: Das Feld für Knoten-Interleaving muss auf Disabled gesetzt sein, wenn Speicherredundanz verwendet wird.
Low Power Mode (Standardeinstellung Disabled)	Aktiviert oder deaktiviert den Energiesparbetrieb für den Speicher. Bei der Einstellung Disabled (Deaktiviert) wird der Speicher bei voller Geschwindigkeit betrieben. Wenn diese Option auf Enabled (Aktiviert) gesetzt ist, wird der Speicher bei geringerer Geschwindigkeit betrieben, um Energie zu sparen.

Bildschirm „CPU-Information“ (Prozessorinformationen)

Tabelle 1-4 enthält aktualisierte Beschreibungen zur Option Demand-Based Power Management (Bedarfsorientierte Energieverwaltung).

Tabelle 1-4. Bildschirm „CPU-Information“ (Prozessorinformationen)

Option	Beschreibung
Demand-Based Power Management (Standardeinstellung Enabled)	<p>ANMERKUNG: Überprüfen Sie anhand der Dokumentation zum Betriebssystem, ob das Betriebssystem diese Funktion unterstützt.</p> <p>Aktiviert oder deaktiviert die bedarfsbasierte Energieverwaltung. Im aktivierten Zustand werden die CPU-Auslastungsdaten an das Betriebssystem gemeldet; im deaktivierten Zustand werden die CPU-Auslastungsdaten nicht an das Betriebssystem gemeldet. Wenn einer der Prozessoren bedarfsbasierte Energieverwaltung nicht unterstützt, ist das Feld schreibgeschützt und automatisch auf Disabled (Deaktiviert) gesetzt.</p>

Bildschirm „Integrated Devices“ (Integrierte Geräte)

In Tabelle 1-5 sind neue Optionen des Bildschirms „Integrated Devices“ (Integrierte Geräte) aufgeführt.

Tabelle 1-5. Optionen des Bildschirms „Integrated Devices“ (Integrierte Geräte)

Option	Beschreibung
Internal USB Port (Standard- einstellung On)	Aktiviert oder deaktiviert den internen USB-Port des Systems.
OS Watchdog Timer (Standard- einstellung Disabled)	ANMERKUNG: Diese Funktion ist nur nutzbar bei Betriebssystemen, die WDAT-Implementierungen der Advanced Configuration and Power Interface (ACPI) 3.0b-Spezifikation unterstützen. Die Funktion wird von Microsoft® Windows Server® 2008 unterstützt, nicht jedoch von Windows Server 2003. Setzt einen Timer, der das Betriebssystem auf Aktivität überwacht und bei der Wiederherstellung nützlich ist, wenn das System nicht mehr reagiert. Wenn dieses Feld auf Enabled (Aktiviert) gesetzt ist, kann das Betriebssystem den Timer initialisieren. Bei der Einstellung Disabled (Deaktiviert) wird der Timer nicht initialisiert.
I/OAT DMA Engine (Standard- einstellung Disabled)	Aktiviert oder deaktiviert die Option für I/O Acceleration Technology (I/OAT). Wenn auf Enabled (Aktiviert) gesetzt, wird mit I/OAT die Nutzung des Systemprozessors für Anwendungen reduziert, die TCP verwenden, indem ein Teil der TCP-Empfangsbetriebs auf die DMA-Engine übergeht.
System Interrupts Assignment (Standard Vorgabeeinstellung)	Über dieses Feld wird die Interruptzuweisung für die PCI-Geräte im System gesteuert. Bei der Einstellung Distributed (Verteilt) wird das Interrupt-Routing so umgestellt, dass die gemeinsame IRQ-Nutzung durch mehrere Geräte minimiert wird.

Bildschirm „System Security“ (Systemsicherheit)

Tabelle 1-6 enthält neue Optionen für das PowerEdge 2900 III-System.



ANMERKUNG: In China ausgelieferte Systeme sind nicht mit TPM ausgerüstet.




HINWEIS: Bevor Sie die Option **TPM Security** aktivieren, vergewissern Sie sich, dass das Betriebssystem TPM unterstützt.

Tabelle 1-6. Neue Optionen des Bildschirms „System Security“ (Systemsicherheit)

Option	Beschreibung
TPM Security (Standardeinstellung Off)	<p>Legt das Meldewesen des Trusted Platform Module (TPM) im System fest.</p> <p>Bei der Standardeinstellung Off (Deaktiviert) wird das Vorhandensein von TPM dem Betriebssystem nicht gemeldet.</p> <p>Bei On with Pre-boot Measurements (Ein mit Vorstart-Messungen) wird das TPM dem Betriebssystem gemeldet, und die Vorstart-Messungen des TPM werden während des POST gespeichert (kompatibel mit Trusted Computing Group-Standards).</p> <p>Bei On without Pre-boot Measurements (Ein ohne Vorstart-Messungen) wird das TPM dem Betriebssystem gemeldet und die Vorstart-Messungen werden übersprungen.</p>
TPM Activation	<p>Ändert den Betriebszustand des TPM.</p> <p>Bei der Einstellung Activate ist das TPM mit Standardeinstellungen aktiviert.</p> <p>Bei Deactivate ist das TPM deaktiviert.</p> <p>Im Zustand No Change (Keine Änderung) wird keine Aktion veranlasst. Der Betriebszustand des TPM verbleibt unverändert (alle Benutzereinstellungen für das TPM bleiben erhalten).</p> <p>ANMERKUNG: Dieses Feld ist schreibgeschützt, wenn TPM Security auf Off eingestellt ist.</p>

Tabelle 1-6. Neue Optionen des Bildschirms „System Security“ (Systemsicherheit) (fortgesetzt)

Option	Beschreibung
TPM Clear (Standardeinstellung No)	 <p>HINWEIS: Löschen des TPM führt zum Verlust aller Schlüssel im TPM. Dies verhindert, dass das Betriebssystem gestartet werden kann und führt zu Datenverlusten, falls sich die Schlüssel nicht wiederherstellen lassen. Achten Sie darauf, die TPM-Schlüssel zu sichern, bevor Sie diese Option aktivieren.</p> <p>Bei der Einstellung Yes (Ja) werden alle Inhalte des TPM gelöscht.</p> <p>ANMERKUNG: Dieses Feld ist schreibgeschützt, wenn TPM Security auf Off eingestellt ist.</p>

Bildschirm „Serial Communication“

Tabelle 1-7 führt die aktualisierten Informationen zur Standardeinstellung für die ausfallsichere Baudrate auf.

Tabelle 1-7. Option im Bildschirm „Serial Communication“ (Serielle Kommunikation)

Option	Beschreibung
Failsafe Baud Rate (Standardeinstellung 115200)	Zeigt die ausfallsichere Baudrate für Konsolenumleitung an, wenn die Baudrate nicht automatisch mit dem entfernten Terminal verhandelt werden kann. Dieser Wert sollte nicht verändert werden.

Informationen zum Betriebssystem

Nummerierung der NICs

Bei Linux-Betriebssystemen mit dem `udev`-Kernel-Gerätemanager erfolgt die Nummerierung der NICs anders als bei früheren Linux-Versionen mit dem `devfs`-Gerätemanager. Wenngleich dadurch die Systemfunktion nicht beeinträchtigt wird, werden unter Red Hat® Enterprise Linux® (Version 4 oder 5) und SUSE® Linux Enterprise Server 9 oder 10 die NICs in umgekehrter Reihenfolge nummeriert: NIC1 wird als `eth1` statt `eth0` konfiguriert, und NIC2 wird als `eth0` statt `eth1` konfiguriert. Informationen zum Ändern der Standard-Gerätenummerierung finden Sie im Whitepaper „Network Interface Card Naming“ (Benennung von Netzwerkschnittstellenkarten), das unter linux.dell.com bereitgestellt ist.

Unterstützung optischer SATA-Laufwerke unter RHEL3 und SLES9

Optische SATA-Laufwerke werden unter RHEL 3 Update 8 und SLES 9 SP4 unterstützt. Ältere Versionen dieser Betriebssysteme bieten keine Unterstützung optischer SATA-Laufwerke.

RHEL – Unzutreffende Prozessor-Informationen

- Wenn ein Prozessor der Reihe Intel Xeon 54xx in einem System installiert ist, auf dem RHEL Version 4 Update 5 läuft und bei dem im BIOS das bedarfsorientierte Switching (Demand-Based Switching) aktiviert ist, zeigen `cat /proc/cpuinfo` und `cat /sys/devices/system/cpu/cpuxx/cpufreq/scaling_cur_freq` die Prozessortaktrate nicht korrekt an. (Dies hat keine Auswirkungen auf die tatsächliche Prozessortaktrate.)
- Wenn ein Prozessor der Reihe Intel Xeon 54xx in einem System installiert ist, auf dem RHEL Version 3 Update 9 läuft, zeigt `/proc/cpuinfo` die Prozessortaktrate nicht korrekt an. (Dies hat keine Auswirkungen auf die tatsächliche Prozessortaktrate.)

Dieses Verhalten wird in einem künftigen Update zu RHEL 4 korrigiert.

System-Support für Microsoft Windows 2000

Wenn Sie das *System Build and Update Utility* ausführen, wird Microsoft® Windows® 2000 in der Liste der Betriebssysteme auf der Registerkarte **Server OS Install** (Server-Betriebssysteminstallation) aufgeführt. Dieses Betriebssystem wird von den Systemen PowerEdge 2900 und 2900 II, nicht jedoch vom System PowerEdge 2900 III unterstützt.

Aktualisierungen des *Hardware-Benutzerhandbuchs*

Prozessor installieren

Bei der Installation des Prozessors muss die Prozessorabdeckung geschlossen werden, bevor der Prozessor mit dem Sicherungshebel des Sockels befestigt wird.

Benutzerdefinierte Systemdiagnose-Testoptionen

Im Fenster **Customizing** (Anpassen) der Systemdiagnose befindet sich die Option **Log output file pathname** (Verzeichnisname der Protokollausgabedatei). Hier können Sie das Diskettenlaufwerk bzw. den USB-Speicherstick festlegen, auf dem die Testprotokolldatei gespeichert wird. Die Datei kann nicht auf Festplatte gespeichert werden.

Aktuelle Informationen zum Systemplatinenaustausch (nur für Service)

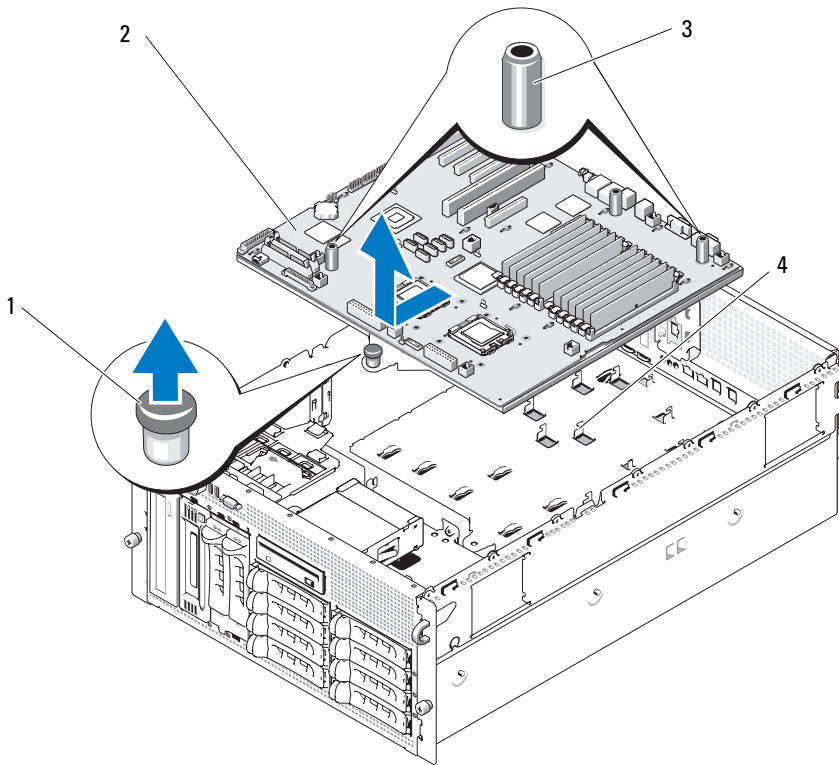


VORSICHT: Nur zugelassene Servicetechniker dürfen die Gehäuseabdeckung entfernen und auf die Komponenten im Innern des Systems zugreifen. Ausführliche Informationen zu den Sicherheitsvorkehrungen beim Arbeiten im Innern des Computers und zum Schutz vor elektrischer Entladung finden Sie im *Produktinformationshandbuch*.

Die Vorgehensweise zum Systemplatinaustausch im *Hardware-Benutzerhandbuch* wurde aktualisiert. Wenn Sie die Systemplatine entfernen oder installieren, heben oder halten Sie die Systemplatine am Sicherungsstift und an den entsprechenden Anfassvorrichtungen (siehe Abbildung 1-3).

➔ HINWEIS: Um Schäden an der Systemplatine zu vermeiden, heben Sie sie nicht an den Speichermodulhalterungen oder einer anderen Komponente auf der Systemplatine heraus, sondern verwenden Sie zum Anfassen ausschließlich die entsprechenden Vorrichtungen auf der Systemplatine.

Abbildung 1-3. Entfernen der Systemplatine



- 1 Sicherungsstift
- 2 Systemplatine
- 3 Systemplatinen-Anfasser (2)
- 4 Halter am Gehäuse

Dell™ PowerEdge™
2900 システム
アップデート情報



メモ、注意、警告



メモ：コンピュータを使いやすいするための重要な情報を説明しています。



注意：ハードウェアの損傷やデータの損失の可能性を示し、その危険を回避するための方法を説明しています。



警告：物的損害、けが、または死亡の原因となる可能性があることを示しています。

**本書の内容は予告なく変更されることがあります。
© 2006-2009 すべての著作権は Dell Inc. にあります。**

Dell Inc. の書面による許可のない複製は、いかなる形態においても厳重に禁じられています。

本書に使用されている商標：Dell、DELL ロゴ、および PowerEdge は Dell Inc. の商標です。Intel および Xeon は Intel Corporation の登録商標です。Microsoft、Windows および Windows Server は米国その他の国における Microsoft Corporation の商標または登録商標です。Red Hat および Red Hat Enterprise Linux は Red Hat, Inc. の登録商標です。SUSE は Novell Inc. の登録商標です。

商標または製品の権利を主張する事業体を表すためにその他の商標および社名が使用されていることがあります。Dell Inc. はデル以外の商標や社名に対する所有権を一切否認します。

目次

PowerEdge 2900 III – 新しいシステム機能	111
新しい性能特性	111
I/O とストレージの新機能	111
新しいセキュリティ機能	111
オプションの内蔵 USB メモリキー	112
オプションの内蔵 USB メモリキー の取り付け	113
プロセッサのアップグレード – PowerEdge 2900 II/III システム	115
システム基板の交換 – 暗号化されたデー タの保護	115
システムメッセージのアップデート	116
LCD ステータスメッセージのアップデート	122
セットアップユーティリティのアップデー ト情報	127
メモリ画面	127
CPU Information (CPU 情報) 画面	129
Integrated Devices (内蔵デバイス) 画面	129
System Security (システムセキュリティ) 画面	130
Serial Communication (シリアル通信) 画面	132

OS の情報	132
NIC の列挙	132
RHEL3 および SLES9 での SATA オプティ カルドライブのサポート	132
RHEL – 正しくないプロセッサ情報	133
Microsoft Windows 2000 のシステム サポート	133
『ハードウェアオーナーズマニュアル』 のアップデート	134
プロセッサの取り付け	134
システム診断プログラムのカスタムテス トオプション	134
システム基板交換手順のアップデート情報 (サービス技術者専用の手順)	134

本書では、以下のトピックについて、お使いのシステムに関するアップデート情報を提供します。

- PowerEdge™ 2900 III システムの新しいシステム機能
- PowerEdge 2900 III システムの内蔵 USB メモリキー
- PowerEdge 2900 II/III システムのプロセッサのアップグレード
- システム基板の交換 – 暗号化されたデータの保護
- PowerEdge 2900 III システムのシステムメッセージのアップデート
- PowerEdge 2900 III システムの LCD ステータスメッセージのアップデート
- PowerEdge 2900 III システムのセットアップユーティリティのアップデート
- OS の情報
- 『ハードウェアオーナーズマニュアル』のアップデート
- システム基板の交換（サービス技術者専用の手順）

PowerEdge 2900 III – 新しいシステム機能

新しい性能特性

- デュアルコアまたはクアッドコア Intel® Xeon® プロセッサが 2 個。

I/O とストレージの新機能

- 10-Mbps、100-Mbps、および 1000-Mbps のデータ転送速度と iSCSI リモートブートをサポートするオプションの Intel クアッドポートギガビットイーサネット NIC。
- 10 Gb イーサネットカードに対応。
- オプションの起動可能 USB フラッシュドライブまたは USB メモリキーをサポートする内蔵 USB 2.0 対応コネクタ 1 個。
- オプションの SAS 6i/R および PERC 6/i アダプタに対応。

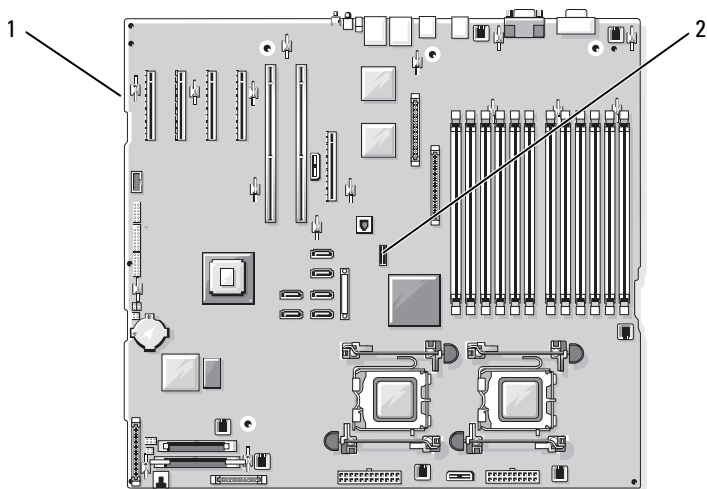
新しいセキュリティ機能

- セキュリティ強化のための Trusted Program Module (TPM) (信頼済みプログラムモジュール) に対応。
- iSCSI 起動用のオプションのサポート。

オプションの内蔵 USB メモリキー

PowerEdge 2900 III システムのシステム基板には、USB フラッシュメモリキーに使用する内部 USB コネクタがあります (図 1-1 を参照)。USB メモリキーは、起動デバイス、セキュリティキー、または大容量ストレージデバイスとして使用できます。内部 USB コネクタを使用するには、セットアップユーティリティの **Integrated Devices** (内蔵デバイス) 画面で **Internal USB Port** (内部 USB ポート) オプションを有効にする必要があります。129 ページの「Integrated Devices (内蔵デバイス) 画面」を参照してください。

図 1-1. 内部 USB コネクタの位置



1 システム基板

2 内部 USB コネクタの位置

USB メモリキーから起動するには、起動イメージを使用して USB メモリキーを設定し、セットアップユーティリティの起動順序で USB メモリキーを指定する必要があります。『ハードウェアオーナーズマニュアル』の「セットアップユーティリティの使い方」を参照してください。USB メモリキー上に起動可能ファイルを作成する方法については、USB メモリキーに付属のユーザーマニュアルを参照してください。



メモ：複数の LUN を持つ USB キーは、キーの製造元が提供するフォーマットユーティリティを使用してフォーマットする必要があります。



注意：システム内部のコンポーネントとの干渉を避けるために、USB キーは最大サイズ（厚み 12.7 mm x 幅 30.48 mm x 長さ 71.12 mm）に準拠している必要があります。

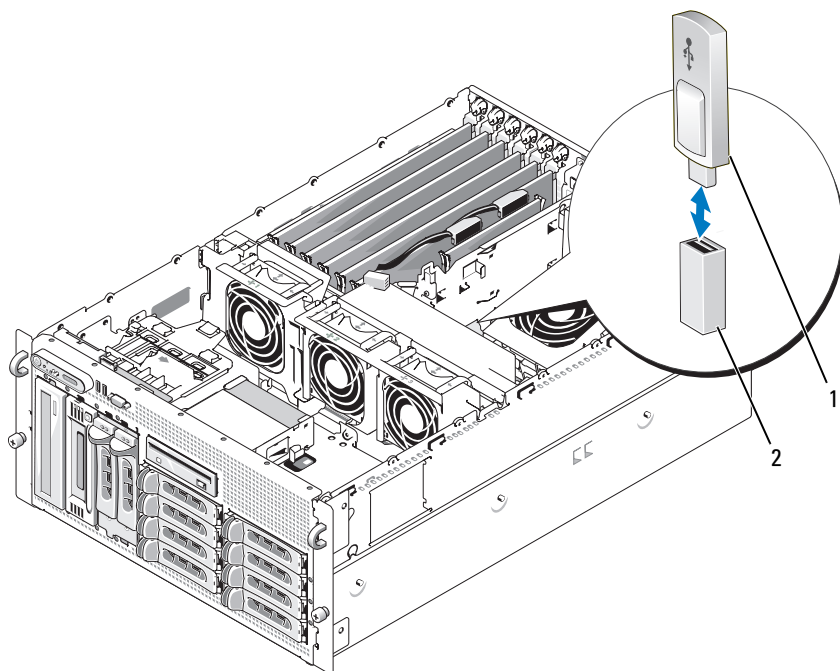
オプションの内蔵 USB メモリキーの取り付け



警告：システムのカバーを取り外して内部の部品に手を触れる作業は、トレーニングを受けたサービス技術者のみが行ってください。安全上の注意、コンピュータ内部の作業、および静電気障害への対処の詳細については、『製品情報ガイド』を参照してください。

- 1 システムと周辺機器の電源を切り、システムをコンセントから外します。
- 2 システムカバーを開きます。『ハードウェアオーナーズマニュアル』の「システムカバーの取り外し」を参照してください。
- 3 システム基板上の USB コネクタの位置を確認し、USB メモリキーを USB コネクタに挿入します。図 1-2 を参照してください。

図 1-2. 内蔵 USB キーの取り付け



1 USB メモリキー 2 内部 USB コネクタ

- 4 システムカバーを閉じます。『ハードウェアオーナーズマニュアル』の「システムカバーの取り付け」を参照してください。
- 5 システムを電源に接続し、システムの電源を入れます。
- 6 セットアップユーティリティを起動し、USB キーがシステムによって検出されたことを確認します。『ハードウェアオーナーズマニュアル』の「セットアップユーティリティの使い方」を参照してください。

プロセッサのアップグレード – PowerEdge 2900 II/III システム

- システムシャーシの前面に「II」のラベルがある場合、お使いのシステムは、デュアルコア Intel Xeon プロセッサの 5100 シリーズ、およびクアッドコア Intel Xeon プロセッサの 5300 シリーズにアップグレードできます。
- システムシャーシの前面に「III」のラベルがある場合、お使いのシステムは、デュアルコア Intel Xeon プロセッサの 5100/5200 シリーズ、およびクアッドコア Intel Xeon プロセッサの 5300/5400 シリーズにアップグレードできます。

お使いのシステムで利用できる最新のプロセッサアップグレードオプションについては、**support.dell.com** を参照してください。

システム基板の交換 – 暗号化されたデータの保護

Windows Server® 2008 を使用している PowerEdge 2900 III システムでは、BitLocker ユーティリティなどの暗号化プログラムを使用して、ハードドライブの内容を保護することができます。

暗号化プログラムと共に TPM を使用している場合は、システムのセットアップ中にリカバリキーの作成を求められます。このリカバリキーは必ず保管しておいてください。システム基板を交換した場合は、システムの再起動時にリカバリキーを入力しないと、ハードドライブ上の暗号化されたファイルにアクセスできません。

システムメッセージのアップデート

PowerEdge 2900 III システム用の新しいシステムメッセージ、およびメッセージが表示された場合の考えられる原因と対応処置のリストを表 1-1 に示します。


 **警告：**システムのカバーを取り外して内部の部品に手を触れる作業は、トレーニングを受けたサービス技術者のみが行ってください。安全上の注意、コンピュータ内部の作業、および静電気障害への対処の詳細については、『製品情報ガイド』を参照してください。

表 1-1. システムメッセージ

メッセージ	原因	対応処置
Alert! Node Interleaving disabled! Memory configuration does not support Node Interleaving.	メモリ構成がノードのインタリーピングをサポートしていないか、(いずれかの DIMM に障害が発生したなど) 構成が変更された結果、ノードのインタリーピングがサポートされなくなった。システムは使用できるが、機能が低下する。	メモリモジュールがノードのインタリーピングをサポートする構成で取り付けられていることを確認します。考えられる原因に関するその他の情報については、ほかのシステムメッセージを確認してください。メモリ構成については、『ハードウェアオーナーズマニュアル』の「メモリモジュール取り付けの一般的ガイドライン」を参照してください。問題が解決しない場合は、『ハードウェアオーナーズマニュアル』の「システムメモリのトラブルシューティング」を参照してください。

表 1-1. システムメッセージ（続き）

メッセージ	原因	対応処置
!!*** Error: Remote Access Controller initialization failure *** RAC virtual USB devices may not be available...	Remote Access Controller の初期化エラー。	Remote Access Controller が正しく取り付けられていることを確認します。『ハードウェアオーナーズマニュアル』の「RAC カードの取り付け」を参照してください。
Invalid PCIe card found in the Internal_Storage slot!	無効な PCIe 拡張カードが専用のストレージコントローラスロットに取り付けられているために、システムが停止した。	PCIe 拡張カードを取り外し、内蔵 SAS コントローラを専用スロットに取り付けます。
No boot device available	オプティカルドライブサブシステム、ハードドライブ、またはハードドライブサブシステムに障害があるか、または取り付けられていない。または、起動可能な USB キーが取り付けられていない。	起動可能な USB キー、CD、またはハードドライブを使用します。起動デバイスの順序の設定については、『ハードウェアオーナーズマニュアル』の「セットアップユーティリティの使い方」を参照してください。
PCI BIOS failed to install	シャドウイング中に PCIe デバイス BIOS（オプション ROM）チェックサムエラーが検出された。 拡張カードのケーブルに緩みがある。拡張カードに障害があるか、または正しく取り付けられていない。	拡張カードを抜き差しし、適切なケーブルがすべてしっかりと拡張カードに接続されていることを確認します。問題が解決しない場合は、『ハードウェアオーナーズマニュアル』の「システムの拡張カードのトラブルシューティング」を参照してください。

表 1-1. システムメッセージ (続き)

メッセージ	原因	対応処置
PCIe Degraded Link Width Error: Embedded device Expected Link Width is n Actual Link Width is n	システム基板またはライ ザーボードに障害が ある。	『ハードウェアオーナー ズマニュアル』の「困っ たときは」を参照してく ださい。
PCIe Degraded Link Width Error: Integrated device Expected Link Width is n Actual Link Width is n	表示されている PCIe デ バイスに障害があるか、 または正しく取り付けら れていない。	SAS コントローラドー ターカードの場合は、専 用 PCIe コネクタに挿入 されているカードを抜き 差しします。『ハード ウェアオーナーズマニ ュアル』の「SAS コント ローラドーターカードの 取り付け」を参照してく ださい。問題が解決しな い場合は、『ハードウェ アオーナーズマニ ュアル』の「困ったときは」 を参照してください。
PCIe Degraded Link Width Error: Slot n Expected Link Width is n Actual Link Width is n	表示されているスロット の PCIe カードに障害が あるか、または正しく取 り付けられていません。	該当するスロット番号の PCIe カードを抜き差しし ます。『ハードウェア オーナーズマニュアル』 の「拡張カード」を参照 してください。問題が解 決しない場合は、『ハー ドウェアオーナーズマ ニュアル』の「困ったと きは」を参照してくだ さい。
PCIe Training Error: Embedded device	システム基板またはライ ザーボードに障害が ある。	『ハードウェアオーナー ズマニュアル』の「困っ たときは」を参照してく ださい。

表 1-1. システムメッセージ（続き）

メッセージ	原因	対応処置
PCIe Training Error: Integrated device	表示されている PCIe デバイスに障害があるか、または正しく取り付けられていない。	SAS コントローラドーターカードの場合は、専用 PCIe コネクタに挿入されているカードを抜き差しします。『ハードウェアオーナーズマニュアル』の「SAS コントローラドーターカードの取り付け」を参照してください。問題が解決しない場合は、『ハードウェアオーナーズマニュアル』の「困ったときは」を参照してください。
PCIe Training Error: Slot n	表示されているスロットの PCIe カードに障害があるか、または正しく取り付けられていない。	該当するスロット番号の PCIe カードを抜き差しします。『ハードウェアオーナーズマニュアル』の「拡張カード」を参照してください。問題が解決しない場合は、『ハードウェアオーナーズマニュアル』の「困ったときは」を参照してください。
Remote Access Controller cable error or incorrect card in the RAC slot.	RAC ケーブルが接続されていないか、RAC カードを取り付けた拡張スロットが間違っている。	RAC ケーブルが接続されていること、および RAC カードが正しい拡張スロットに取り付けられていることを確認します。『ハードウェアオーナーズマニュアル』の「RAC カードの取り付け」を参照してください。

メモ：どの TPM 情報メッセージも、POST 中に BMC オプション ROM がロードされた後で表示されます。

表 1-1. システムメッセージ（続き）

メッセージ	原因	対応処置
TPM configuration operation honored.	システムがここでリセットされる。	情報表示のみです。
TPM Failure	信頼済みプラットフォームモジュール（TPM）の機能に障害が発生した。	『ハードウェアオーナーズマニュアル』の「困ったときは」を参照してください。
TPM operation is pending. Press I to Ignore or M to Modify to allow this change and reset the system. WARNING: Modifying could prevent security.	構成の変更が要求された。	システムの起動を続行するには I を押します。 TPM 設定を変更して再起動するには、 M を押します。
Warning: Following faulty DIMMs are disabled: DIMM n_1 n_2 Total memory size is reduced.	メモリモジュールに障害があるか、または装着されていない。 n_1 および n_2 に示されているように、DIMM がペアで無効になっている。障害が発生していないかどうか、両方の DIMM をチェックします。	『ハードウェアオーナーズマニュアル』の「システムメモリのトラブルシューティング」を参照してください。
Warning: A fatal error has caused system reset! Please check the system event log!	致命的なシステムエラーが発生した結果、システムが再起動した。	エラー発生中に記録された情報については、SEL を確認してください。SEL に記録されている障害の発生したコンポーネントについては、『ハードウェアオーナーズマニュアル』の「システムのトラブルシューティング」で、該当するトラブルシューティングの項を参照してください。

表 1-1. システムメッセージ（続き）

メッセージ	原因	対応処置
Warning! No micro code update loaded for processor n	マイクロコードのアップデートに失敗した。	BIOS ファームウェアをアップデートします。『ハードウェアオーナーズマニュアル』の「困ったときは」を参照してください。
Warning: The installed memory configuration is not optimal. For more information on valid memory configurations, please see the system documentation on the technical support web site.	メモリの構成が無効。システムは使用できるが、機能が低下する。	メモリモジュールが有効な構成で取り付けられていることを確認します。『ハードウェアオーナーズマニュアル』の「メモリモジュール取り付けの一般的ガイドライン」を参照してください。問題が解決しない場合は、『ハードウェアオーナーズマニュアル』の「システムメモリのトラブルシューティング」を参照してください。
Write fault Write fault on selected drive	USB デバイス、USB メディア、オプティカルドライブアセンブリ、ハードドライブ、またはハードドライブサブシステムに障害がある。	問題のあるメディアを交換します。USB デバイスまたは USB ケーブルを抜き差しします。ハードドライブの問題については、『ハードウェアオーナーズマニュアル』の「ハードドライブのトラブルシューティング」を参照してください。

LCD ステータスメッセージのアップデート

PowerEdge 2900 III システムで表示される可能性のある LCD ステータスメッセージとその考えられる原因のアップデート情報を表 1-2 に示します。LCD メッセージは、システムイベントログ (SEL) に記録されたイベントに基づきます。SEL およびシステム管理設定の詳細については、システム管理ソフトウェアのマニュアルを参照してください。

表 1-2. LCD ステータスメッセージ

コード	メッセージ	原因	対応処置
-	システム名	ユーザーがセットアップユーティリティ内で定義できる 62 文字のストリング。システム名 は、以下の状況で表示されます。 <ul style="list-style-type: none">• システムの電源が入っている。• 電源が切れており、アクティブエラーが表示されている。	このメッセージは情報の表示のみです。システムの ID と名前はセットアップユーティリティで変更できます。『ハードウェアオーナーズマニュアル』の「セットアップユーティリティの使い方」を参照してください。
E1000	FAILSAFE, Call Support	重大なエラーイベントがないか、システムイベントログを確認します。	『ハードウェアオーナーズマニュアル』の「困ったときは」を参照してください。
E1118	CPU Temp Interface	BMC が CPU の温度状況を判定できない。そのため、BMC は予防措置として CPU ファンの速度を最大にする。	システムの電源を切り、再度電源を入れます。問題が解決しない場合は、『ハードウェアオーナーズマニュアル』の「困ったときは」を参照してください。

表 1-2. LCD ステータスメッセージ (続き)

コード	メッセージ	原因	対応処置
E1211	ROMB Batt	RAID バッテリーがないか、不良であるか、または温度が正常でないために再充電できない。	RAID バッテリーコネクタを抜き差しします。『ハードウェアオーナーズマニュアル』の「RAID バッテリー」および「システム冷却問題のトラブルシューティング」を参照してください。
E1625	PS AC Current	電源が許容範囲外。	AC 電源を確認します。
E1711	PCI PERR B## D## F##	システム BIOS によって、バス ##、デバイス ##、機能 ## の PCI 設定スペースにあるコンポーネントについて、PCI パリティエラーが報告された。	PCIe 拡張カードを取り外して装着しなおします。問題が解決しない場合は、『ハードウェアオーナーズマニュアル』の「拡張カードのトラブルシューティング」を参照してください。
	PCI PERR Slot #	システム BIOS によって、表示されている PCIe スロットにあるコンポーネントについて、PCI パリティエラーが報告された。	拡張カードライザーを取り付けなおします。『ハードウェアオーナーズマニュアル』の「拡張カードライザー」を参照してください。 問題が解決しない場合は、ライザー x カードまたはシステム基板に障害があります。『ハードウェアオーナーズマニュアル』の「困ったときは」を参照してください。

表 1-2. LCD ステータスメッセージ (続き)

コード	メッセージ	原因	対応処置
E1712	PCI SERR B## D## F##	システム BIOS によって、バス ##、デバイス ##、機能 ## の PCI 設定スペースにあるコンポーネントについて、PCI システムエラーが報告された。	PCIe 拡張カードを取り外して装着しなおします。問題が解決しない場合は、『ハードウェアオーナーズマニュアル』の「拡張カードのトラブルシューティング」を参照してください。
	PCI SERR Slot #	システム BIOS によって、表示されているスロットにあるコンポーネントについて、PCI システムエラーが報告された。	拡張カードライザーを取り付けなおします。『ハードウェアオーナーズマニュアル』の「拡張カードライザー」を参照してください。 問題が解決しない場合は、ライザー x カードまたはシステム基板に障害があります。『ハードウェアオーナーズマニュアル』の「困ったときは」を参照してください。

表 1-2. LCD ステータスメッセージ (続き)

コード	メッセージ	原因	対応処置
E171F	PCIe Fatal Err B## D## F##	システム BIOS によって、バス ##、デバイス ##、機能 ## の PCIe 設定スペースにあるコンポーネントについて、PCIe の致命的なエラーが報告された。	PCIe 拡張カードを取り外して装着しなおします。問題が解決しない場合は、『ハードウェアオーナーズマニュアル』の「拡張カードのトラブルシューティング」を参照してください。
	PCIe Fatal Err Slot #	システム BIOS によって、表示されているスロットにあるコンポーネントについて、PCIe の致命的なエラーが報告された。	拡張カードライザーを取り付けなおします。『ハードウェアオーナーズマニュアル』の「拡張カードライザー」を参照してください。 問題が解決しない場合は、ライザー x カードまたはシステム基板に障害があります。『ハードウェアオーナーズマニュアル』の「困ったときは」を参照してください。
E1914	DRAC5 Conn2 Cbl	DRAC 5 ケーブルがなにか、または外れている。	ケーブルを接続しなおします。『ハードウェアオーナーズマニュアル』の「RAC カードの取り付け」を参照してください。
E1B01	USB# Overcurrent	表示されている USB ポートに接続されているデバイスが過電流の原因になっている。	デバイスケーブルを抜き差しします。問題が解決しない場合は、ドライブを取り外すかまたは交換します。

表 1-2. LCD ステータスメッセージ (続き)

コード	メッセージ	原因	対応処置
E2110	MBE DIMM # & #	表示されている 2 枚の DIMM のうち 1 枚にメモリ MBE (マルチビットエラー) が発生した。	『ハードウェアオーナーズマニュアル』の「システムメモリのトラブルシューティング」を参照してください。
E2111	SBE Log Disable DIMM #	システム BIOS がメモリ SBE (シングルビットエラー) のロギングを無効にした。システムを再起動するまで、残りの SBE のロギングは再開されない。"#" は BIOS によって示される DIMM を表します。	『ハードウェアオーナーズマニュアル』の「システムメモリのトラブルシューティング」を参照してください。
E2112	Mem Spare DIMM #	システム BIOS がメモリのエラーが多すぎると判断したため、メモリの使用を控えめた。"#" は BIOS によって示される DIMM のペアを表す。	『ハードウェアオーナーズマニュアル』の「システムメモリのトラブルシューティング」を参照してください。

表 1-2. LCD ステータスメッセージ (続き)

コード	メッセージ	原因	対応処置
I1915	Video Off (青色または黄色を背景に LCD が点灯する。)	RAC リモートユーザーによってビデオの電源が切られた。	情報表示のみです。
I1916	Video Off in ## (青色または黄色を背景に LCD が点灯する。)	RAC リモートユーザーによってビデオの電源が xx 秒後に切られる。	情報表示のみです。



メモ：診断 LCD メッセージにはそれぞれ優先度が割り当てられています。最高の優先度を持つメッセージは、優先度の低いメッセージのグループすべてに優先します。

セットアップユーティリティのアップデート情報

メモリ画面

Memory Information (メモリ情報) 画面の情報フィールドに表示される説明を表 1-3 に示します。

表 1-3. Memory Information (メモリ情報) 画面のオプション

オプション	説明
System Memory Size	システムメモリの容量が表示されます。
System Memory Type	システムメモリのタイプが表示されます。
System Memory Speed	システムメモリの速度が表示されます。
Video Memory	ビデオメモリの容量が表示されます。
System Memory Testing	システム起動時にシステムメモリテストを実行するかどうかを指定します。オプションは Enabled (有効) および Disabled (無効) です。

表 1-3. Memory Information (メモリ情報) 画面のオプション (続き)

オプション	説明
Redundant Memory (デフォルトは Disabled)	冗長メモリ機能の有効 / 無効を切り替えます。 Spare Mode に設定すると、各 DIMM の第 1 ランクのメモリがメモリスペアリング用に予約されます。Node Interleaving フィールドを有効に設定すると、冗長メモリ機能は無効になります。
Node Interleaving (デフォルトは Disabled)	対称的なメモリ構成の場合、このフィールドが Enabled (有効) に設定されていると、メモリのインタリービングがサポートされます。このファイルが Disabled (無効) に設定されていると、システムは NUMA (Non-Uniform Memory Architecture) (非対称) メモリ構成をサポートします。 メモ ：冗長メモリ機能を使用する際には、Node Interleaving (ノードのインタリービング) フィールドは Disabled (無効) に設定する必要があります。
Low Power Mode (デフォルトは Disabled)	メモリの Low Power Mode の有効 / 無効を切り替えます。 Disabled (無効) に設定すると、メモリは最大速度で動作します。 Enabled (有効) に設定すると、メモリは節電のために低速で動作します。

CPU Information (CPU 情報) 画面

Demand-Based Power Management (デマンドベースの電力管理) オプションの最新の説明を表 1-4 に示します。

表 1-4. CPU Information (CPU 情報) 画面

オプション	説明
Demand-Based Power Management (デフォルトは Enabled)	<p>メモ：OS のマニュアルを参照し、この機能をサポートしているかどうかを確認します。</p> <p>デマンドベースの電力管理を有効または無効にします。有効時には、CPU パフォーマンス状態を示す表が OS に報告されます。無効時には、CPU パフォーマンス状態を示す表は OS に報告されません。デマンドベースの電力管理をサポートしない CPU が 1 つでもある場合は、フィールドは読み取り専用となり、自動的に Disabled (無効) に設定されます。</p>

Integrated Devices (内蔵デバイス) 画面

新しくなった **Integrated Devices** (内蔵デバイス) 画面のオプションを表 1-5 に示します。

表 1-5. Integrated Devices (内蔵デバイス) 画面のオプション

オプション	説明
Internal USB Port (デフォルトは On)	システムの内部 USB ポートの有効 / 無効を切り替えます。
OS Watchdog Timer (デフォルトは Disabled)	<p>メモ：この機能は、ACPI 3.0b 仕様の WDAT 実装をサポートする OS でのみ使用できます。この機能は Microsoft® Windows Server® 2008 ではサポートされていますが、Windows Server 2003 ではサポートされていません。</p> <p>OS の動作を監視し、システムが反応しなくなった場合のリカバリに役立つタイマーを設定します。このフィールドが Enabled (有効) に設定されていると、OS からタイマーを初期化することができます。 Disabled (無効) に設定されていると、タイマーは初期化されません。</p>

表 1-5. Integrated Devices（内蔵デバイス）画面のオプション（続き）

オプション	説明
I/OAT DMA Engine (デフォルトは Disabled)	I/O アクセラレーションテクノロジー (I/OAT) オプションの有効 / 無効を切り替えます。 Enabled (有効) に設定すると、I/OAT は、TCP 受信処理の一部を DMA エンジンにオフロードすることによって、TCP を使用するアプリケーションに対するシステム CPU の使用を抑えます。
System Interrupts Assignment (デフォルトは Standard)	システム内の PCI デバイスの割り込み要求割り当てを制御します。 Distributed (分散) に設定すると、割り込みルーティングがスイズル (swizzle) され、デバイス間の IRQ 共有が最小限に抑えられます。

System Security（システムセキュリティ）画面

PowerEdge 2900 III システムの新しいオプションを表 1-6 に示します。




メモ：中国に出荷されるシステムには TPM が装備されていません。



注意：TPM Security (TPM セキュリティ) オプションを有効にする前に、OS が TPM に対応していることを確認してください。

表 1-6. System Security (システムセキュリティ) 画面の新しいオプション

オプション	説明
TPM Security (デフォルトは Off)	<p>システムの Trusted Platform Module (TPM) (信頼済みプラットフォームモジュール) のレポートを設定します。</p> <p>Off (オフ) (デフォルト) に設定すると、TPM の存在が OS に報告されません。</p> <p>On with Pre-boot Measurements (起動前測定ありでオン) に設定すると、TPM が OS に報告され、POST 中に起動前測定 (TCG 規格準拠) が TPM に保存されます。</p> <p>On without Pre-boot Measurements (起動前測定なしでオン) に設定すると、TPM が OS に報告され、起動前測定は省略されます。</p>
TPM Activation	<p>TPM の動作状態を変更します。</p> <p>Activate (有効にする) に設定すると、TPM はデフォルト設定で有効になり、アクティブになります。</p> <p>Deactivate (無効にする) に設定すると、TPM は無効になり、非アクティブになります。</p> <p>No Change (変更なし) 状態の場合、処理は何も実行されません。TPM の動作状態は不変です (TPM のすべてのユーザー設定が保存されます)。</p> <p>メモ : TPM Security (TPM セキュリティ) が Off (オフ) に設定されている場合、このフィールドは読み取り専用です。</p>
TPM Clear (デフォルトは No)	<p> 注意 : TPM をクリアすると、TPM 内のすべての暗号化キーが失われます。このオプションを選択すると OS からの起動ができなくなり、暗号化キーが復元できない場合はデータが失われます。このオプションを有効にする前に必ず TPM キーをバックアップしてください。</p> <p>Yes (はい) に設定すると、TPM の内容がすべてクリアされます。</p> <p>メモ : TPM Security (TPM セキュリティ) が Off (オフ) に設定されている場合、このフィールドは読み取り専用です。</p>

Serial Communication (シリアル通信) 画面

デフォルトの Failsafe Baud Rate (フェイルセーフボーレート) に関するアップデート情報を表 1-7 に示します。

表 1-7. Serial Communication (シリアル通信) 画面のオプション

オプション	説明
Failsafe Baud Rate (デフォルトは 115200)	ボーレートがリモートターミナルによって自動的にネゴシエートできない場合にコンソールリダイレクションに使用されるフェイルセーフボーレートを表示します。このレートは調節しないでください。

OS の情報

NIC の列挙

udev カーネルデバイスマネージャを使用するバージョンの Linux OS では、NIC を列挙する順序が **devfs** デバイスマネージャを使用する旧バージョンの Linux とは異なります。システムの機能は影響を受けませんが、Red Hat® Enterprise Linux® (バージョン 4 またはバージョン 5) もしくは SUSE® Linux Enterprise Server 9 または 10 を使用している場合は、NIC が逆順に列挙され、NIC1 が **eth0** ではなく **eth1** として、NIC2 が **eth1** ではなく **eth0** として設定されます。デバイスの既定の列挙順序を変更する方法については、linux.dell.com でホワイトペーパー『Network Interface Card Naming』(ネットワークインタフェースカードの命名) を参照してください。

RHEL3 および SLES9 での SATA オプティカルドライブのサポート

RHEL 3 アップデート 8 および SLES 9 SP4 では SATA オプティカルドライブがサポートされています。これらの OS の旧バージョンでは、SATA オプティカルドライブはサポートされていません。

RHEL – 正しくないプロセッサ情報

- RHEL バージョン 4 アップデート 5 が実行されているシステムに Intel Xeon 54xx プロセッサが取り付けられており、BIOS で Demand-Based Switching（デマンドベースの切り替え）が有効に設定されている場合、`cat/proc/cpuinfo` および `cat/sys/devices/system/cpu/cpuxx/cpufreq/scaling_cur_freq` に正しくないプロセッサ周波数が表示されます（実際のプロセッサの速度に影響はありません）。
- RHEL バージョン 3 アップデート 9 が実行されているシステムに Intel Xeon 54xx プロセッサが取り付けられている場合、`/proc/cpuinfo` に正しくないプロセッサ情報が表示されます（実際のプロセッサの速度に影響はありません）。

この問題は、今後の RHEL 4 アップデートでは解決される予定です。

Microsoft Windows 2000 のシステムサポート

System Build and Update Utility を実行すると、**Server OS Install**（サーバー OS インストール）タブの OS のリストに Microsoft® Windows® 2000 が含まれます。PowerEdge 2900/2900 II システムはこの OS をサポートしていますが、PowerEdge 2900 III システムはサポートしていません。

『ハードウェアオーナーズマニュアル』 のアップデート


プロセッサの取り付け

プロセッサの取り付けの際には、ソケットリリースレバーでプロセッサを固定する前にプロセッサシールドを閉じる必要があります。

システム診断プログラムのカスタムテストオプション

システム診断プログラムの **Customize**（カスタマイズ）ウィンドウで、**Log output file pathname**（ログ出力ファイルのパス名）オプションを使用すると、テストログファイルが保存されるディスクドライブまたは USB メモリキーを指定することができます。このファイルをハードドライブに保存することはできません。

システム基板交換手順のアップデート情報 (サービス技術者専用の手順)

 **警告**：システムのカバーを取り外して内部の部品に手を触れる作業は、トレーニングを受けたサービス技術者のみが行ってください。安全上の注意、コンピュータ内部の作業、および静電気障害への対処の詳細については、『製品情報ガイド』を参照してください。

『ハードウェアオーナーズマニュアル』で説明されているシステム基板を交換する手順が変更されています。システム基板の取り外しまたは取り付けは、保持ピンとシステム基板ハンドル（図 1-3 を参照）を持って行います。


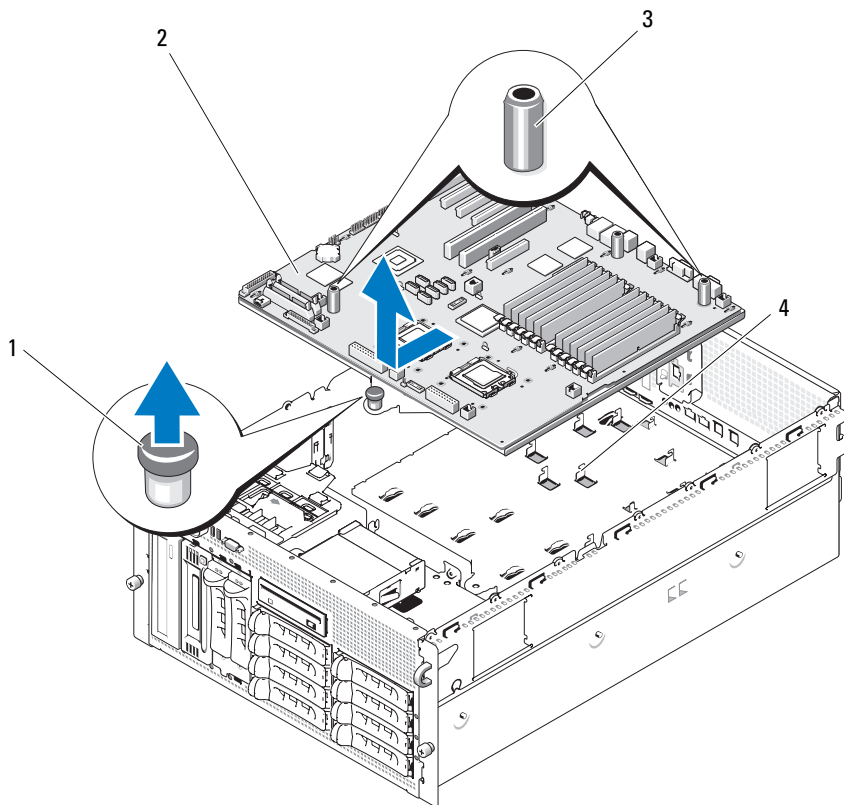
 **注意**：システム基板の損傷を防ぐため、メモリモジュールの保持ブラケットや（システム基板ハンドル以外の）システム基板上の部品をつかんでシステム基板を持ち上げないでください。

図 1-3. システム基板の取り外し



- 1 保持ピン 2 システム基板 3 システム基板ハンドル (2)
4 シャーシのフック

Dell™ PowerEdge™

2900 시스템

설명서 갱신본



주, 주의사항 및 주의



주: "주"는 컴퓨터를 보다 효율적으로 사용하는 데 도움을 주는 중요 정보를 제공합니다.



주의사항: "주의사항"은 하드웨어의 손상 또는 데이터 유실 위험을 설명하며, 이러한 문제를 방지할 수 있는 방법을 알려줍니다.



주의: "주의"는 재산상의 피해나 심각한 부상 또는 사망을 유발할 수 있는 우려가 있음을 알려줍니다.

이 문서의 정보는 사전 통보 없이 변경될 수 있습니다.

© 2006-2009 Dell Inc. **저작권 본사 소유.**

Dell Inc.의 서면 승인 없이 어떠한 경우에도 무단 복제하는 것을 엄격히 금합니다.

본 설명서에 사용된 상표: *Dell*, *DELL* 로고 및 *PowerEdge*는 Dell Inc.의 상표이며; *Intel* 및 *Xeon*은 Intel Corporation의 등록 상표입니다. *Microsoft*, *Windows* 및 *Windows Server*는 미국 및/또는 기타 국가에서 Microsoft Windows Corporation의 상표 또는 등록 상표입니다. *Red Hat* 및 *Red Hat Enterprise Linux*는 Red Hat, Inc.의 등록 상표이며, *SUSE*는 Novell Inc.의 등록 상표입니다.

본 문서에서 특정 회사의 표시나 제품 이름을 지칭하기 위해 기타 상표나 상호를 사용할 수도 있습니다. Dell Inc.는 자사가 소유하고 있는 것 이외에 기타 모든 상표 및 상호에 대한 어떠한 소유권도 없습니다.

차례

PowerEdge 2900 III – 새 시스템 기능	141
새로운 성능 기능	141
새로운 I/O 및 저장 기능	141
새 보안 기능	141
내장형 USB 메모리 키 옵션	142
내부 USB 메모리 키 옵션 설치	143
프로세서 업그레이드 – PowerEdge 2900 II 및 PowerEdge 2900 III 시스템	145
시스템 보드 교체 – 암호화된 데이터 보호	145
시스템 메시지 업데이트	146
LCD 상태 메시지 업데이트	151
System Setup 프로그램 업데이트	155
메모리 화면	155
CPU 정보 화면	156
통합 장치 화면	157
시스템 보안 화면	158
직렬 통신 화면	159

운영 체제 정보	159
NIC 열거	159
RHEL3 및 SLES9 에서의 SATA 광학 드라이브 지원	160
RHEL – 잘못된 프로세서 정보	160
Microsoft Windows 2000 에 대한 시스템 지원.	160
하드웨어 소유자 설명서 업데이트	160
프로세서 설치	160
시스템 진단 사용자 지정 테스트 옵션	160
시스템 보드 교체 업데이트 (서비스 전용 절차)	161

본 설명서는 다음 내용에 관한 시스템의 최신 정보에 대해 설명합니다.

- PowerEdge™ 2900 III 시스템의 새로운 기능
- PowerEdge 2900 III 시스템용 내장형 USB 메모리 키
- PowerEdge 2900 II 및 PowerEdge 2900 III 시스템 프로세서 업그레이드
- 시스템 보드 교체 - 암호화된 데이터 보호
- PowerEdge 2900 III 시스템 메시지 업데이트
- PowerEdge 2900 III 시스템 LCD 상태 메시지 업데이트
- PowerEdge 2900 III 시스템 설치 프로그램 업데이트
- 운영 체제 정보
- *하드웨어 소유자 설명서* 업데이트
- 시스템 보드 교체(서비스 전용 절차)

PowerEdge 2900 III – 새 시스템 기능

새로운 성능 기능

- 듀얼 코어 또는 쿼드 코어 Intel® Xeon® 프로세서 2개.

새로운 I/O 및 저장 기능

- 10-Mbps, 100-Mbps 및 1000-Mbps 데이터 전송률 및 iSCSI 원격 부팅을 지원하는 Intel 4중 포트 Gigabit Ethernet NIC 옵션 1개.
- 10 Gb Ethernet 카드 지원.
- 부팅 가능한 USB 플래시 드라이브 옵션 또는 USB 메모리 키를 지원하는 USB 2.0 규격의 내장형 커넥터 1개.
- SAS 6i/R 옵션 및 PERC 6/i 어댑터 옵션 지원.

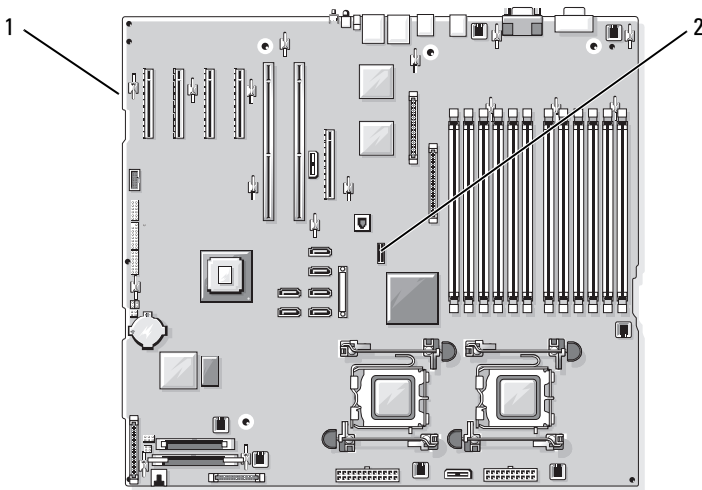
새 보안 기능

- 향상된 보안을 위해 TPM(Trusted Program Module) 지원.
- iSCSI 부팅 선택적 지원.

내장형 USB 메모리 키 옵션

PowerEdge 2900 III 시스템은 USB 플래쉬 메모리 키와 함께 사용할 시스템 보드에 위치한 내장형 USB 커넥터를 제공합니다(그림 1-1 참조). USB 메모리 키는 부팅 장치, 보안 키 또는 대용량 저장 장치로 사용할 수 있습니다. 내부 USB 커넥터를 사용하려면 **Internal USB Port**(내부 USB 포트) 옵션이 System Setup 프로그램의 **Integrated Devices**(내장형 장치) 화면에서 사용되어야 합니다."157페이지의 통합 장치 화면"을 참조하십시오.

그림 1-1. 내장형 USB 커넥터 위치



1 시스템 보드

2 내장형 USB 커넥터 위치

USB 메모리 키에서 부팅하려면 부팅 이미지로 USB 메모리 키를 구성한 다음 System Setup 프로그램의 부팅 순서에서 USB 메모리 키를 지정해야 합니다. *하드웨어 소유자 설명서*의 "System Setup 프로그램 사용"을 참조하십시오. USB 메모리 키에서 부팅 가능한 파일을 작성하는 방법에 대한 내용은 USB 메모리 키와 함께 제공되는 사용 설명서를 참조하십시오.



주: 여러 LUN(Logical Unit Numbers)이 포함된 USB 키는 키 제조업체에서 제공하는 포맷 유틸리티를 사용하여 포맷해야 합니다.



주의사항: 시스템 내부의 구성부품 간섭을 피하려면 USB 키는 다음과 같은 최대 크기를 준수해야 합니다. 12.7 mm 두께 (0.5") x 30.48 mm 너비 (1.2") x 71.12mm 길이 (2.8").

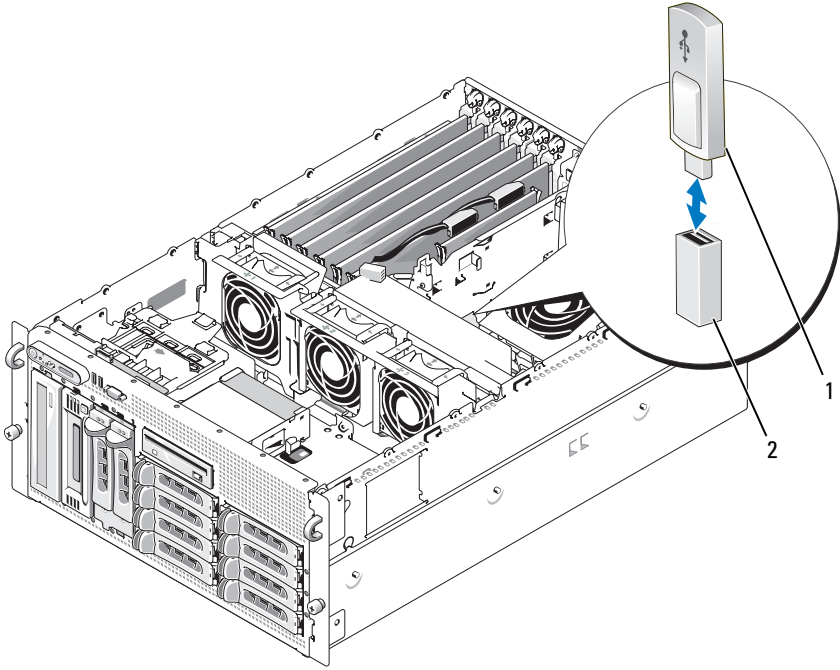
내부 USB 메모리 키 옵션 설치



주의: 숙련된 서비스 기술자만 시스템 덮개를 분리하고 시스템 내부의 구성 요소에 액세스해야 합니다. 안전 지침, 컴퓨터 내부 작업 및 정전기 방전 방지에 대한 자세한 내용은 제품 정보 안내를 참조하십시오.

- 1 시스템 및 시스템에 장착된 모든 주변 장치의 전원을 끄고 시스템을 전원 콘센트에서 분리합니다.
- 2 시스템을 엽니다. *하드웨어 소유자 설명서*의 "시스템 열기"를 참조하십시오.
- 3 시스템 보드의 USB 커넥터를 찾은 다음 USB 커넥터에 USB 메모리 키를 삽입하십시오. 그림 1-2를 참조하십시오.

그림 1-2. 내장형 USB 키 설치



1 USB 메모리 키 2 내부 USB 커넥터

- 4 시스템을 닫습니다. *하드웨어 소유자 설명서*의 "시스템 닫기"를 참조하십시오.
- 5 시스템을 전원에 다시 연결하고 시스템을 재시작합니다.
- 6 시스템 설치 프로그램을 시작하고 시스템에서 USB 키를 감지했는지 확인합니다. *하드웨어 소유자 설명서*의 "System Setup 프로그램 사용"을 참조하십시오.

프로세서 업그레이드 – PowerEdge 2900 II 및 PowerEdge 2900 III 시스템

- 시스템 새시의 전면이 "II"라고 표시되어 있을 경우 시스템은 듀얼 코어 Intel Xeon 프로세서의 5100 시리즈 및 쿼드 코어 Intel Xeon 프로세서의 5300 시리즈로 업그레이드할 수 있습니다.
- 시스템 새시의 전면이 "III"라고 표시되어 있을 경우 시스템은 듀얼 코어 Intel Xeon 프로세서의 5100, 5200 시리즈 및 쿼드 코어 Intel Xeon 프로세서의 5300, 5400 시리즈로 업그레이드할 수 있습니다.

시스템의 최신 프로세서 업그레이드 옵션에 대한 내용은 support.dell.com 을 참조하십시오.

시스템 보드 교체 – 암호화된 데이터 보호

Windows Server® 2008을 사용하는 PowerEdge 2900 III 시스템에서 BitLocker 유틸리티 등의 암호화 프로그램을 사용하여 하드 드라이브의 내용을 보호할 수 있습니다.

암호화 프로그램으로 TPM을 사용 중인 경우 시스템 설치 도중 복구 키를 작성하라는 메시지가 나타납니다. 이 복구 키는 반드시 저장하십시오. 시스템 보드를 교체할 경우 하드 드라이브의 암호화된 파일을 액세스하기 전에 시스템을 다시 시작할 때 복구 키를 입력해야 합니다.

시스템 메시지 업데이트

표 1-1에는 메시지가 나타날 경우 PowerEdge 2900 III 시스템에 대한 새 시스템 메시지, 발생 가능한 원인 및 조치 목록이 표시됩니다.

⚠ 주의: 숙련된 서비스 기술자만 시스템 덮개를 분리하고 시스템 내부의 구성 부품에 액세스해야 합니다. 안전 지침, 컴퓨터 내부 작업 및 정전기 방전 보호에 대한 자세한 내용은 제품 정보 안내를 참조하십시오.

표 1-1. 시스템 메시지

메시지	원인	수정 조치
Alert! Node Interleaving disabled! Memory configuration does not support Node Interleaving.	메모리 구성이 노드 인터리빙을 지원하지 않거나 노드 인터리빙을 지원할 수 없도록 구성이 변경되었습니다 (예: DIMM 실패). 시스템은 실행되지 만 기능이 감소됩니다.	메모리 모듈이 노드 인터리빙을 지원하는 구성으로 설치되어 있는지 확인합니다. 가능한 원인에 대한 추가 정보는 기타 시스템 메시지를 확인하십시오. 메모리 구성에 대한 내용은 <i>하드웨어 소유자 설명서</i> 의 "일반 메모리 모듈 설치 지침"을 참조하십시오. 문제가 지속될 경우 <i>하드웨어 소유자 설명서</i> 의 "시스템 메모리 문제 해결"을 참조하십시오.
!!*** Error: Remote Access Controller initialization failure *** RAC virtual USB devices may not be available...	원격 액세스 컨트롤러 초기화 오류입니다.	원격 액세스 컨트롤러가 올바르게 설치되었는지 확인합니다. <i>하드웨어 소유자 설명서</i> 의 "RAC 카드 설치"를 참조하십시오.
Invalid PCIe card found in the Internal_Storage slot!	전용 저장 컨트롤러 슬롯에 잘못된 PCIe 확장 카드가 설치되어 있으므로 시스템이 정지되었습니다.	PCIe 확장 카드를 분리하고 전용 슬롯에 내장형 SAS 컨트롤러를 설치하십시오.

표 1-1. 시스템 메시지 (계속)

메시지	원인	수정 조치
No boot device available	광학 드라이브 하위 시스템, 하드 드라이브 또는 하드 드라이브 하위 시스템에 오류가 있거나 설치되지 않았거나, 부팅 USB 키가 설치되지 않았습니다.	부팅 USB 키, CD 또는 하드 드라이브를 사용합니다. 부팅 장치의 순서 설정에 대한 내용은 <i>하드웨어 소유자 설명서</i> 의 "System Setup 프로그램 사용"을 참조하십시오.
PCI BIOS failed to install	새도입 중에 PCIe 장치 BIOS(옵션 ROM) 검사 합 오류가 감지되었습니다. 확장 카드에 연결된 케이블이 느슨하게 되었습니다. 확장 카드에 결함이 있거나 잘못 설치되었습니다.	확장 카드를 다시 장착합니다. 해당 케이블이 모두 확장 카드에 단단히 연결되어 있는지 확인합니다. 문제가 지속될 경우 <i>하드웨어 소유자 설명서</i> 의 "시스템 확장 카드 문제 해결"을 참조하십시오.
PCIe Degraded Link Width Error: Embedded device	시스템 보드 또는 라이저 보드가 잘못되었습니다.	<i>하드웨어 소유자 설명서</i> 의 "도움말 얻기"를 참조하십시오.
Expected Link Width is n		
Actual Link Width is n		
PCIe Degraded Link Width Error: Integrated device	특정 PCIe 장치가 잘못되었거나 제대로 설치되어 있지 않습니다.	SAS 컨트롤러 도터 카드의 경우 전용 PCIe 커넥터에 카드를 다시 장착하십시오. <i>하드웨어 소유자 설명서</i> 의 "SAS 컨트롤러 도터 카드 설치"를 참조하십시오. 문제가 지속될 경우 <i>하드웨어 소유자 설명서</i> 의 "도움말 얻기"를 참조하십시오.
Expected Link Width is n		
Actual Link Width is n		

표 1-1. 시스템 메시지 (계속)

메시지	원인	수정 조치
PCIe Degraded Link Width Error: Slot <i>n</i> Expected Link Width is <i>n</i> Actual Link Width is <i>n</i>	특정 슬롯에 설치된 PCIe 카드에 결함이 있거나 올바르게 설치되지 않았습 니다.	지정된 슬롯 번호에 PCIe 카드를 다시 장착합니다. <i>하드웨어 소유자 설명서</i> 의 "확장 카드"를 참조하십시오. 문제가 지속될 경우 <i>하드웨어 소유자 설명서</i> 의 "도움말 얻기"를 참조하십시오.
PCIe Training Error: Embedded device	시스템 보드 또는 라이저 보드가 잘못되었습니다.	<i>하드웨어 소유자 설명서</i> 의 "도움말 얻기"를 참조하십시오.
PCIe Training Error: Integrated device	특정 PCIe 장치가 잘못되었거나 제대로 설치되어 있지 않습니다.	SAS 컨트롤러 도터 카드의 경우 전용 PCIe 커넥터에 카드를 다시 장착하십시오. <i>하드웨어 소유자 설명서</i> 의 "SAS 컨트롤러 도터 카드 설치"를 참조하십시오. 문제가 지속될 경우 <i>하드웨어 소유자 설명서</i> 의 "도움말 얻기"를 참조하십시오.
PCIe Training Error: Slot <i>n</i>	특정 슬롯에 설치된 PCIe 카드에 결함이 있거나 올바르게 설치되지 않았습 니다.	지정된 슬롯 번호에 PCIe 카드를 다시 장착합니다. <i>하드웨어 소유자 설명서</i> 의 "확장 카드"를 참조하십시오. 문제가 지속될 경우 <i>하드웨어 소유자 설명서</i> 의 "도움말 얻기"를 참조하십시오.
Remote Access Controller cable error or incorrect card in the RAC slot.	RAC 케이블이 연결되어 있지 않거나 RAC 카드가 잘못된 확장 슬롯에 설치되어 있습니다.	RAC 케이블이 연결되어 있는지, RAC 카드가 올바른 확장 슬롯에 설치되어 있는지 확인합니다. <i>하드웨어 소유자 설명서</i> 의 "RAC 카드 설치"를 참조하십시오.

주: POST 중에 BMC 옵션 ROM이 로드된 후 모든 TPM 정보 메시지가 나타납니다.

표 1-1. 시스템 메시지 (계속)

메시지	원인	수정 조치
TPM configuration operation honored.	시스템이 지금 재설정됩니다.	참조용으로만 제공됩니다.
TPM Failure	TPM(신뢰할 수 있는 플랫폼 모듈) 기능이 실패했습니다.	<i>하드웨어 소유자 설명서</i> 의 "도움말 얻기"를 참조하십시오.
TPM operation is pending. Press I to Ignore or M to Modify to allow this change and reset the system. WARNING: Modifying could prevent security.	구성 변경이 요청되었습니다.	I 키를 눌러 시스템 부팅을 계속합니다. M 키를 눌러 TPM 설정을 수정하고 다시 시작합니다.
Warning: Following faulty DIMMs are disabled: DIMM n_1 n_2 Total memory size is reduced.	설치된 메모리 모듈에 결함이 있거나 잘못 설치되었습니다. DIMM은 n_1 및 n_2 에 나타난 대로 쌍으로 사용되지 않습니다. DIMM 둘 다 잘못될 수 있는지 확인하십시오.	<i>하드웨어 소유자 설명서</i> 의 "시스템 메모리 문제 해결"을 참조하십시오.
Warning: A fatal error has caused system reset! Please check the system event log!	치명적 시스템 오류가 발생하여 시스템이 다시 시작됩니다.	SEL에서 오류 발생 시 기록된 정보를 확인합니다. SEL에서 잘못된 특정 구성부품의 경우 <i>하드웨어 소유자 설명서</i> 의 "시스템 문제 해결"에서 해당되는 문제 해결 부분을 참조하십시오.
Warning! No micro code update loaded for processor n	마이크로 코드 업데이트가 실패했습니다.	BIOS 펌웨어를 업데이트합니다. <i>하드웨어 소유자 설명서</i> 의 "도움말 얻기"를 참조하십시오.

표 1-1. 시스템 메시지 (계속)

메시지	원인	수정 조치
Warning: The installed memory configuration is not optimal. For more information on valid memory configurations, please see the system documentation on the technical support web site.	잘못된 메모리 구성입니다. 시스템은 실행되지만 기능이 감소됩니다.	메모리 모듈이 올바른 구성에 설치되어 있는지 확인하십시오. <i>하드웨어 소유자 설명서</i> 의 "일반 메모리 모듈 설치 지침"을 참조하십시오. 문제가 지속될 경우 <i>하드웨어 소유자 설명서</i> 의 "시스템 메모리 문제 해결"을 참조하십시오.
Write fault Write fault on selected drive	USB 장치, USB 매체, 광학 드라이브 조립품, 하드 드라이브 또는 하드 드라이브 하위 시스템에 오류가 있습니다.	잘못된 매체를 교체하십시오. USB 장치 또는 USB 케이블을 다시 장착하십시오. 하드 드라이브 문제는 <i>하드웨어 소유자 설명서</i> 의 "하드 드라이브 문제 해결"을 참조하십시오.

LCD 상태 메시지 업데이트

표 1-2에는 PowerEdge 2900 III 시스템에서 발생할 수 있는 LCD 상태 메시지 및 각 메시지의 가능한 원인에 대한 업데이트 목록이 표시됩니다. LCD 메시지는 SEL(시스템 이벤트 로그)에 기록된 이벤트를 나타냅니다. SEL 및 시스템 관리 설정 구성에 대한 자세한 내용은 시스템 관리 소프트웨어 설명서를 참조하십시오.

표 1-2. LCD 상태 메시지

코드	텍스트	원인	수정 조치
N/A	SYSTEM NAME	시스템 설치 프로그램에서 사용자가 정의할 수 있는 62 개의 문자 열입니다. SYSTEM NAME은 다음과 같은 조건에서 표시됩니다. <ul style="list-style-type: none"> • 시스템의 전원이 켜진 경우 • 전원이 꺼지고 활성화 오류가 표시된 경우 	이 메시지는 참조 전용입니다. System Setup 프로그램에서 시스템 ID와 이름을 변경할 수 있습니다. <i>하드웨어 소유자 설명서</i> 의 "System Setup 프로그램 사용"을 참조하십시오.
E1000	FAILSAFE, Call Support	시스템 이벤트를 검사하여 치명적인 오류 이벤트가 있는지 확인합니다.	<i>하드웨어 소유자 설명서</i> 의 "도움말 얻기"를 참조하십시오.
E1118	CPU Temp Interface	BMC가 CPU 온도 상태를 확인할 수 없습니다. 따라서 BMC는 예방 조치로 CPU 팬 속도를 최대로 늘립니다.	시스템의 전원을 끄고 시스템을 다시 시작합니다. 문제가 지속될 경우 <i>하드웨어 소유자 설명서</i> 의 "도움말 얻기"를 참조하십시오.
E1211	ROMB Batt	RAID 전지가 장착되지 않았거나 불량이거나 열 문제로 재충전할 수 없습니다.	RAID 전지 커넥터를 다시 장착합니다. <i>하드웨어 소유자 설명서</i> 의 "RAID 배터리" 및 "시스템 냉각 문제 해결"을 참조하십시오.
E1625	PS AC Current	전원이 적당한 범위를 벗어났습니다.	AC 전원을 검사합니다.

표 1-2. LCD 상태 메시지 (계속)

코드	텍스트	원인	수정 조치
E1711	PCI PERR B## D## F## PCI PERR Slot #	시스템 BIOS 에서 PCI 구성 공간 (버스 ##, 장치 ##, 기능 ##) 에 있는 구성요소에 대한 PCI 패리티 오류 를 보고했습니다. 지정된 PCIe 슬롯에 상 주한 구성부품의 PCI 패리티 오류가 시스템 BIOS 에 보고되었습 니다.	PCIe 확장 카드를 분 리하고 다시 장착합니 다. 문제가 지속될 경 우 <i>하드웨어 소유자 설명서의 " 확장 카드 문제 해결 "</i> 을 참조하 십시오. 확장 카드 라이저를 다 시 설치합니다. <i>하드 웨어 소유자 설명서의 " 확장 카드 라이저 "</i> 를 참조하십시오. 문제가 지속되면 시스 템 보드 또는 라이저 카드에 결함이 있는 것입니다. <i>하드웨어 소유자 설명서의 " 도움말 얻기 "</i> 를 참 조하십시오.
E1712	PCI SERR B## D## F## PCI SERR Slot #	시스템 BIOS 에서 PCI 구성 공간 (버스 ##, 장치 ##, 기능 ##) 에 있는 구성요소에 대한 PCI 시스템 오류를 보 고했습니다. 지정된 슬롯에 있는 구 성요소의 PCI 시스템 오류가 시스템 BIOS 에 보고되었습니다.	PCIe 확장 카드를 분 리하고 다시 장착합니 다. 문제가 지속될 경 우 <i>하드웨어 소유자 설명서의 " 확장 카드 문제 해결 "</i> 을 참조하 십시오. 확장 카드 라이저를 다 시 설치합니다. <i>하드 웨어 소유자 설명서의 " 확장 카드 라이저 "</i> 를 참조하십시오. 문제가 지속되면 시스 템 보드 또는 라이저 카드에 결함이 있는 것입니다. <i>하드웨어 소유자 설명서의 " 도 움말 얻기 "</i> 를 참조하 십시오.

표 1-2. LCD 상태 메시지 (계속)

코드	텍스트	원인	수정 조치
E171F	PCIE Fatal Err B## D## F## PCIE Fatal Err Slot #	PCIe 구성 공간 (버스 ##, 장치 ##, 기능 ##) 에 상주한 구성부품의 PCIe 치명적인 오류가 시스템 BIOS 에 보고되었습니다. 지정된 슬롯에 있는 구성요소의 PCIe 치명적인 오류가 시스템 BIOS 에 보고되었습니다.	PCIe 확장 카드를 분리하고 다시 장착합니다. 문제가 지속될 경우 <i>하드웨어 소유자 설명서의 " 확장 카드 문제 해결 "</i> 을 참조하십시오. 확장 카드 라이저를 다시 설치합니다. <i>하드웨어 소유자 설명서의 " 확장 카드 라이저 "</i> 를 참조하십시오. 문제가 지속되면 시스템 보드 또는 라이저 카드에 결함이 있는 것입니다. <i>하드웨어 소유자 설명서의 " 도움말 얻기 "</i> 를 참조하십시오.
E1914	DRAC5 Conn2 Cbl	DRAC 5 케이블이 없거나 분리되었습니다.	케이블을 다시 연결합니다. <i>하드웨어 소유자 설명서의 "RAC 카드 설치 "</i> 를 참조하십시오.
E1B01	USB# Overcurrent	지정된 USB 포트에 연결된 장치로 인해 과전류 상태가 발생했습니다.	장치 케이블을 다시 연결합니다. 문제가 지속되면 장치를 교체하거나 분리합니다.
E2110	MBE DIMM # & #	2 개의 DIMM 중 하나에 메모리 MBE(Multi-bit Error) 오류가 발생하였습니다.	<i>하드웨어 소유자 설명서의 " 시스템 메모리 문제 해결 "</i> 을 참조하십시오.

표 1-2. LCD 상태 메시지 (계속)

코드	텍스트	원인	수정 조치
E2111	SBE Log Disable DIMM #	시스템 BIOS가 메모리 단일 비트 오류 (SBE) 로깅을 사용하지 않으며 시스템이 재시작될 때까지 추가 SBE 로깅을 재시작하지 않습니다. "#"는 BIOS에 관련된 DIMM을 표시합니다.	<i>하드웨어 소유자 설명서</i> 의 "시스템 메모리 문제 해결"을 참조하십시오.
E2112	Mem Spare DIMM #	메모리에 오류가 너무 많이 존재함을 확인했기 때문에 시스템 BIOS는 메모리를 스페어링했습니다. "# & #"는 BIOS에 관련된 DIMM 쌍을 표시합니다.	<i>하드웨어 소유자 설명서</i> 의 "시스템 메모리 문제 해결"을 참조하십시오.
I1915	Video Off (LCD가 청색 또는 호박색 배경에서 깜박입니다.)	RAC 원격 사용자가 비디오를 켜줍니다.	참조용으로만 제공됩니다.
I1916	Video Off in ## (LCD가 청색 또는 호박색 배경에서 깜박입니다.)	비디오가 RAC 원격 사용자에 의해 xx초 내에 꺼졌습니다.	참조용으로만 제공됩니다.



주: 각 진단 LCD 메시지가 우선 순위로 지정됩니다. 가장 높은 우선 순위의 메시지는 가장 낮은 우선 순위의 모든 메시지 그룹을 대체합니다.

System Setup 프로그램 업데이트

메모리 화면

표 1-3에는 **메모리 정보** 화면에 나타나는 정보 필드에 대한 설명 목록이 표시됩니다.

표 1-3. 메모리 정보 화면 옵션

옵션	설명
System Memory Size (시스템 메모리 크기)	시스템 메모리의 크기를 표시합니다.
System Memory Type (시스템 메모리 종류)	시스템 메모리의 종류를 표시합니다.
System Memory Speed (시스템 메모리 속도)	시스템 메모리의 속도를 표시합니다.
Video Memory (비디오 메모리)	비디오 메모리의 크기를 표시합니다.
System Memory Testing (시스템 메모리 검사)	시스템 부팅 시 시스템 메모리 검사를 실행할지 여부를 지정합니다. 옵션으로 Enabled (사용) 및 Disabled (사용 안 함)가 있습니다.
Redundant Memory (중복 메모리) (기본값 : Disabled (사용 안 함))	중복 메모리 기능을 사용하거나 사용하지 않습니다. Spare Mode (교체 모드)로 설정되어 있으면 각 DIMM의 첫 번째 메모리 등급이 메모리 교체를 위해 예약됩니다. Node Interleaving(노드 인터리빙) 필드가 사용되는 경우 중복 메모리 기능은 사용되지 않습니다.
Node Interleaving (노드 인터리빙) (기본값 : Disabled (사용 안 함))	이 필드가 Enabled (사용)로 설정되어 있으면 대칭 메모리 구성이 설치되어 있을 경우 메모리 인터리빙이 지원됩니다. 이 필드가 Disabled (사용 안 함)로 설정되어 있으면 시스템에서 NUMA(Non-Uniform Memory Architecture)(비대칭) 메모리 구성을 지원할 수 있습니다. 주: 중복 메모리 기능을 사용할 때 Node Interleaving(노드 인터리빙) 필드는 Disabled (사용 안 함)로 설정해야 합니다.

표 1-3. 메모리 정보 화면 옵션 (계속)

옵션	설명
Low Power Mode (저전원 모드) (기본값 : Disabled (사용 안 함))	메모리의 저전원 모드를 사용하거나 사용하지 않습니다. Disabled (사용 안 함) 로 설정할 경우 메모리가 전속으로 작동합니다. Enabled (사용) 로 설정할 경우 메모리가 에너지 절약을 위해 감소된 속도로 작동합니다.

CPU 정보 화면

표 1-4는 Demand-Based Power Management(요구 기반의 전원 관리) 옵션에 대한 설명을 업데이트합니다.

표 1-4. CPU 정보 화면

옵션	설명
Demand-Based Power Management (수요 기반 전원 관리) (기본값 : Enabled (사용))	주: 운영 체제가 이 기능을 지원 있는지 확인하려면 운영 체제 설명서를 참조하십시오. 수요 기반 전원 관리 기능을 사용하거나 사용하지 않습니다. 사용된 경우 CPU 성능 상태 표가 운영 체제에 보고되고 사용하지 않는 경우 CPU 성능 상태 표가 운영 체제에 보고되지 않습니다. 일부 CPU가 수요 기반 전원 관리를 지원하지 않을 경우 필드는 읽기 전용으로 되며 자동으로 Disabled (사용 안 함) 로 설정됩니다.

통합 장치 화면

표 1-5에는 새 **Integrated Devices**(통합 장치) 화면 옵션 목록이 표시됩니다.

표 1-5. 통합 장치 화면 옵션

옵션	설명
Internal USB Port (내부 USB 포트) (기본값 : On (켜기))	시스템의 내부 USB 포트를 사용하거나 사용하지 않습니다.
OS Watchdog Timer(OS Watchdog 타이머) (기본값 : Disabled (사용 안 함))	주: 이 기능은 ACPI(고급 구성 및 전원 인터페이스) 3.0b 사양의 WDAT 구현을 지원하는 운영 체제에서만 사용할 수 있습니다. Microsoft® Windows Server® 2008은 이 기능을 지원하지만 Windows Server 2003은 지원하지 않습니다. 운영 체제의 작동을 모니터링하고 시스템이 응답을 멈추는 경우 복구를 도와주는 타이머를 설정합니다. 이 필드를 Enabled (사용)로 설정하면 운영 체제에서 타이머를 초기화할 수 있습니다. Disabled (사용 안 함)로 설정하면 타이머가 초기화되지 않습니다.
I/OAT DMA Engine(I/OAT DMA 엔진) (기본값 : Disabled (사용 안 함))	I/OAT(I/O Acceleration Technology) 옵션을 사용 또는 사용하지 않습니다. Enabled (사용)로 설정되어 있으면 I/OAT가 DMA 엔진에 대한 TCP 수신 동작의 일부를 오프로드하여 TCP를 사용하는 응용프로그램에 대한 시스템 CPU 이용률을 줄입니다.
System Interrupts Assignment (시스템 인터 럽트 할당) (Standard (표준) 기본값)	이 필드는 시스템의 PCI 장치에 대한 인터럽트 할당을 제어합니다. Distributed (배포)로 설정되어 있으면 인터럽트 라우팅이 다시 구성되어 장치 간의 IRQ 공유를 최소화합니다.

시스템 보안 화면

표 1-6에는 PowerEdge 2900 III 시스템의 새 옵션 목록이 표시됩니다.



주: 중국에서 운송되는 시스템은 TPM을 갖추고 있지 않습니다.




주의사항 : TPM Security(TPM 보안) 옵션을 활성화하기 전에 운영 체제가 TPM 을 지원해야 합니다.

표 1-6. 새 시스템 보안 화면 옵션

옵션	설명
TPM Security (TPM 보안) (기본값 : Off (끄기))	<p>시스템에서 신뢰할 수 있는 플랫폼 모듈 (TPM) 보고를 설정합니다 .</p> <p>Off(끄기)(기본값) 로 설정하는 경우 TPM 의 존재 여부가 운영 체제에 보고되지 않습니다 .</p> <p>On with Pre-boot Measurements(사전 부팅 검사를 통해 켜기) 로 설정하는 경우 시스템이 운영 체제에 TPM 을 보고하고 POST 중에 사전 부팅 검사 (신뢰할 수 있는 컴퓨팅 그룹 표준 준수) 를 TPM 에 저장합니다 .</p> <p>On without Pre-boot Measurements(사전 부팅 검사 없이 켜기) 로 설정하는 경우 시스템은 운영 체제에 TPM 을 보고하고 사전 부팅 검사를 무시합니다 .</p>
TPM Activation (TPM 활성화)	<p>TPM 의 작동 상태를 변경합니다 .</p> <p>Activate(활성화) 로 설정하는 경우 TPM 이 기본 설정으로 사용되고 활성화됩니다 .</p> <p>Deactivate(비활성화) 로 설정하는 경우 TPM 이 사용되지 않고 비활성화됩니다 .</p> <p>No Change(변경 없음) 상태에서는 아무런 동작도 시작되지 않습니다 . TPM 의 작동 상태는 변경되지 않은 상태로 유지됩니다 (TPM 에 대한 모든 사용자 설정이 유지됨) .</p> <p>주: TPM Security(TPM 보안)를 Off(끄기)로 설정하는 경우 이 필드는 읽기 전용입니다.</p>

표 1-6. 새 시스템 보안 화면 옵션 (계속)

옵션	설명
TPM Clear (TPM 지우기) (기본값 : No (아니오))	<p> 주의사항 : TPM 을 지우면 TPM 의 모든 암호화 키가 유실됩니다 . 이 옵션은 운영 체제로 부팅하는 것을 방지하므로 암호화 키를 복원할 수 없는 경우 데이터가 유실됩니다 . 이 옵션을 활성화하기 전에 TPM 키를 백업하도록 합니다 .</p> <p>Yes(예) 로 설정하는 경우 TPM 의 모든 내용이 지워집니다 .</p> <p>주 : TPM Security(TPM 보안)를 Off(끄기)로 설정하는 경우 이 필드는 읽기 전용입니다.</p>

직렬 통신 화면

표 1-7에는 기본 안전 보드윅에서 업데이트된 정보가 나열되어 있습니다.

표 1-7. 직렬 통신 화면 옵션

옵션	설명
Failsafe Baud Rate (안전 보드윅) (기본값 : 115200)	<p>원격 터미널과 자동으로 보드윅을 교섭할 수 없는 경우 콘솔 재지정에 사용되는 안전 보드윅을 표시합니다 . 이 보드윅은 조정할 수 없습니다 .</p>

운영 체제 정보

NIC 열거

udev 커널 장치 관리자를 사용하는 Linux 운영 체제 버전은 devfs 장치 관리자를 사용한 이전 Linux 버전보다 다르게 NIC를 열거합니다. 시스템 기능에 아무런 영향을 주지 않아도 Red Hat® Enterprise Linux® (version 4 또는 version 5) 또는 SUSE® Linux Enterprise Server 9 또는 10 운영 체제를 사용하면 NIC가 거꾸로 열거됩니다. NIC1은 eth0 대신 eth1로, NIC2는 eth1 대신 eth0으로 구성됩니다. 기본 장치 열거 변경 방법에 대한 내용은 linux.dell.com에서 사용 가능한 "네트워크 인터페이스 카드 이름 지정" 백서를 참조하십시오.

RHEL3 및 SLES9에서의 SATA 광학 드라이브 지원

SATA 광학 드라이브는 RHEL 3 Update 8 및 SLES 9 SP4에서 지원됩니다. 이 운영 체제의 이전 버전에서는 SATA 광학 드라이브를 지원하지 않습니다.

RHEL – 잘못된 프로세서 정보

- Intel Xeon 54xx 프로세서가 RHEL 버전 4 업데이트 5를 실행하는 시스템에 설치되어 있고 요구 기반의 스위칭이 BIOS에 사용될 경우 `cat/proc/cpuinfo` 및 `cat/sys/devices/system/cpu/cpuxx/cpufreq/scaling_cur_freq`는 잘못된 프로세서 주파수를 표시합니다. (실제 프로세서 속도에는 영향을 주지 않습니다.)
- Intel Xeon 54xx 프로세서가 RHEL 버전 3 업데이트 9를 실행하는 시스템에 설치되어 있을 경우 잘못된 프로세서 정보가 `/proc/cpuinfo`에 표시됩니다. (실제 프로세서 속도에는 영향을 주지 않습니다.)

이 동작은 추후 RHEL 4 Update에서 수정될 것입니다.

Microsoft Windows 2000에 대한 시스템 지원

시스템 구성 및 업데이트 유틸리티를 실행할 경우 Microsoft® Windows® 2000 이 Server OS Install(서버 OS 설치) 탭의 운영 체제 목록에 포함됩니다. 이 운영 체제는 PowerEdge 2900 III 대신 PowerEdge 2900 및 2900 II 시스템에서 지원됩니다.

하드웨어 소유자 설명서 업데이트

프로세서 설치

프로세서를 설치할 때 소켓 분리 레버로 프로세서를 고정하기 전에 프로세서 실드를 닫아야 합니다.

시스템 진단 사용자 지정 테스트 옵션

시스템 진단 프로그램의 **사용자 지정** 창에서 **출력 파일 경로 이름 기록** 옵션을 사용하면 테스트 로그 파일이 저장되는 위치에 디스켓 드라이브 또는 USB 메모리 키를 지정할 수 있습니다. 하드 드라이브에는 파일을 저장할 수 없습니다.

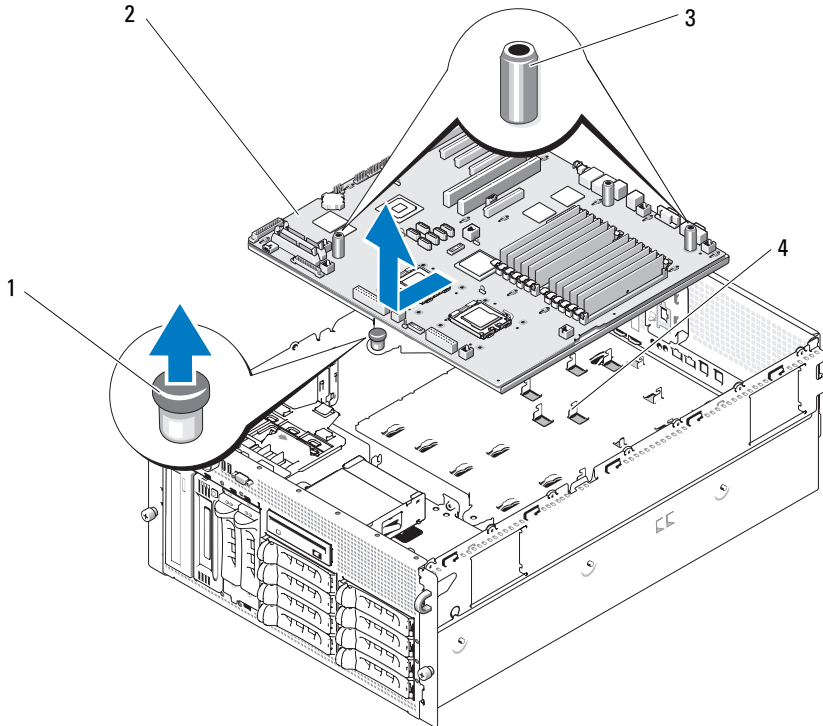
시스템 보드 교체 업데이트(서비스 전용 절차)

⚠ 주의: 숙련된 서비스 기술자만 시스템 덮개를 분리하고 시스템 내부의 구성 부품에 액세스해야 합니다. 안전 지침, 컴퓨터 내부 작업 및 정전기 방전 방지에 대한 자세한 내용은 제품 정보 안내를 참조하십시오.

하드웨어 소유자 설명서의 시스템 보드 교체 절차가 업데이트되었습니다. 시스템 보드를 분리 또는 설치할 때 고정 핀 및 시스템 보드 손잡이를 사용하여 시스템 보드를 들어 올리거나 잡으십시오(그림 1-3 참조).

➡ 주의사항: 시스템 보드가 손상되지 않도록 하려면 시스템 보드 손잡이를 제외하고 메모리 모듈 고정 브래킷 또는 시스템 보드의 구성부품을 사용하여 시스템 보드를 들어 올리지 마십시오.

그림 1-3. 시스템 보드 분리



- 1 고정 핀
- 2 시스템 보드
- 3 시스템 보드 손잡이 (2)
- 4 새시 고리

Sistemas Dell™
PowerEdge™ 2900

Actualización de información



Notas, avisos y precauciones



NOTA: Una NOTA proporciona información importante que le ayudará a utilizar mejor el ordenador.



AVISO: Un AVISO indica la posibilidad de daños en el hardware o la pérdida de datos, e informa de cómo evitar el problema.



PRECAUCIÓN: Un mensaje de PRECAUCIÓN indica el riesgo de daños materiales, lesiones o incluso la muerte.

La información contenida en este documento puede modificarse sin previo aviso.

© 2006–2009 Dell Inc. Todos los derechos reservados.

Queda estrictamente prohibida la reproducción de este material en cualquier forma sin la autorización por escrito de Dell Inc.

Marcas comerciales utilizadas en este texto: *Dell*, el logotipo de *DELL* y *PowerEdge* son marcas comerciales de Dell Inc.; *Intel* y *Xeon* son marcas comerciales registradas de Intel Corporation; *Microsoft*, *Windows* y *Windows Server* son marcas comerciales o marcas comerciales registradas de Microsoft Corporation en los Estados Unidos o en otros países; *Red Hat* y *Red Hat Enterprise Linux* son marcas comerciales registradas de Red Hat, Inc.; *SUSE* es una marca comercial registrada de Novell Inc.

Otras marcas y otros nombres comerciales pueden utilizarse en este documento para hacer referencia a las entidades que los poseen o a sus productos. Dell Inc. renuncia a cualquier interés sobre la propiedad de marcas y nombres comerciales que no sean los suyos.

Contenido

PowerEdge 2900 III: Nuevas funciones del sistema	167
Nuevas funciones de rendimiento	167
Nuevas funciones de E/S y almacenamiento	167
Nuevas funciones de seguridad	168
Memoria USB interna opcional	168
Instalación de la memoria USB interna opcional.	169
Actualizaciones de procesador para los sistemas PowerEdge 2900 II y PowerEdge 2900 III	171
Sustitución de la placa base: Protección de los datos cifrados	171
Actualización de los mensajes del sistema	172
Actualización de los mensajes de estado de la pantalla LCD	178
Actualización del programa de configuración del sistema	183
Pantalla Memory	183
Pantalla CPU Information.	184
Pantalla Integrated Devices	185
Pantalla System Security.	186
Pantalla Serial Communication.	187

Información sobre el sistema operativo.	188
Enumeración de NIC	188
Compatibilidad con unidades ópticas SATA en RHEL 3 y SLES 9	188
RHEL: Información incorrecta del procesador	188
Compatibilidad del sistema con Microsoft Windows 2000.	189
Actualizaciones del Manual del propietario del hardware	189
Instalación del procesador	189
Opciones de prueba personalizada de los diagnósticos del sistema	189
Actualización de la sustitución de la placa base (procedimiento exclusivo para el servicio técnico)	189

En este documento se proporciona información actualizada sobre los temas siguientes relativos al sistema:

- Nuevas funciones del sistema para los sistemas PowerEdge™ 2900 III
- Memoria USB interna para los sistemas PowerEdge 2900 III
- Actualizaciones de procesador para los sistemas PowerEdge 2900 II y PowerEdge 2900 III
- Sustitución de la placa base: Protección de los datos cifrados
- Actualización de los mensajes del sistema para los sistemas PowerEdge 2900 III
- Actualización de los mensajes de estado de la pantalla LCD para los sistemas PowerEdge 2900 III
- Actualización del programa de configuración del sistema para los sistemas PowerEdge 2900 III
- Información sobre el sistema operativo
- Actualizaciones del *Manual del propietario del hardware*
- Sustitución de la placa base (procedimiento exclusivo para el servicio técnico)

PowerEdge 2900 III: Nuevas funciones del sistema

Nuevas funciones de rendimiento

- Dos procesadores Intel® Xeon® de doble núcleo o de cuatro núcleos.

Nuevas funciones de E/S y almacenamiento

- Una NIC Ethernet Gigabit Intel de cuatro puertos opcional que admite velocidades de datos de 10 Mbps, 100 Mbps y 1 000 Mbps y el inicio remoto iSCSI.
- Compatibilidad con tarjetas Ethernet Gigabit 10.
- Un conector interno compatible con USB 2.0 que admite una unidad flash USB de inicio opcional o una memoria USB.
- Compatibilidad con adaptadores SAS 6i/R y PERC 6/i opcionales.

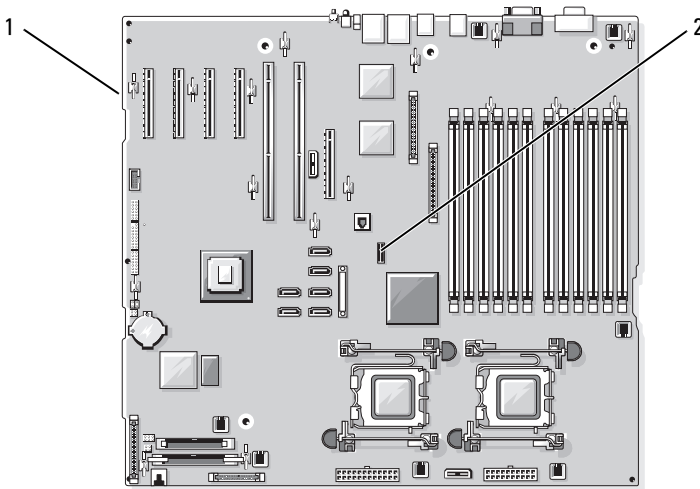
Nuevas funciones de seguridad

- Compatibilidad con el módulo de programa seguro (TPM) para una mayor seguridad.
- Compatibilidad opcional con inicio iSCSI.

Memoria USB interna opcional

El sistema PowerEdge 2900 III proporciona un conector USB interno que se encuentra en la placa base para su utilización junto con la memoria flash USB (vea la ilustración 1-1). La memoria USB se puede utilizar como dispositivo de inicio, llave de seguridad o dispositivo de almacenamiento masivo. Para utilizar el conector USB interno, la opción **Internal USB Port** (Puerto USB interno) de la pantalla **Integrated Devices** (Dispositivos integrados) del programa de configuración del sistema debe estar habilitada. Consulte “Pantalla Integrated Devices” en la página 185.


Ilustración 1-1. Ubicación del conector USB interno




1 Placa base


2 Ubicación del conector USB interno

Para iniciar desde la memoria USB, debe configurarla con una imagen de inicio y luego especificarla en la secuencia de inicio mediante el programa de configuración del sistema. Consulte “Uso del programa de configuración del sistema” en el *Manual del propietario del hardware*. Para obtener información sobre cómo crear un archivo de inicio en la memoria USB, consulte la documentación del usuario incluida con la memoria USB.

 **NOTA:** Las memorias USB que contienen varios LUN (números de unidad lógica) deben formatearse con la utilidad de formateo proporcionada por el fabricante de la memoria.

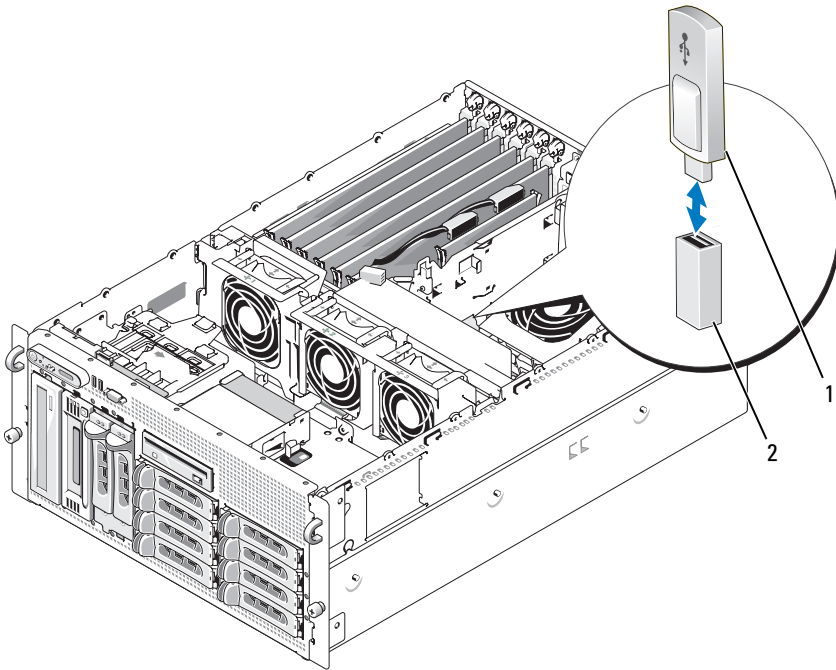
 **AVISO:** Para evitar interferencias con los componentes del interior del sistema, la memoria USB debe ajustarse a las dimensiones máximas siguientes: 12,7 mm de grosor x 30,48 mm de anchura x 71,12 mm de longitud.

Instalación de la memoria USB interna opcional

 **PRECAUCIÓN:** Los técnicos de servicio especializados son las únicas personas autorizadas para retirar las cubiertas y acceder a los componentes internos del sistema. Consulte la *Guía de información del producto* para obtener información completa sobre las precauciones de seguridad, la manipulación de las piezas internas del ordenador y la protección contra descargas electrostáticas.

- 1 Apague el sistema, incluidos los periféricos conectados, y desconecte el sistema de la toma eléctrica.
- 2 Abra el sistema. Consulte “Apertura del sistema” en el *Manual del propietario del hardware*.
- 3 Localice el conector USB de la placa base e inserte la memoria USB en dicho conector. Vea la ilustración 1-2.

Ilustración 1-2. Instalación de una memoria USB interna



1 Memoria USB

2 Conector USB interno

- 4 Cierre el sistema. Consulte “Cierre del sistema” en el *Manual del propietario del hardware*.
- 5 Vuelva a conectar el sistema a la alimentación y reinícielo.
- 6 Abra el programa de configuración del sistema y compruebe que el sistema haya detectado la memoria USB. Consulte “Uso del programa de configuración del sistema” en el *Manual del propietario del hardware*.

Actualizaciones de procesador para los sistemas PowerEdge 2900 II y PowerEdge 2900 III

- Si la parte frontal del chasis del sistema contiene la identificación “II”, significa que el sistema puede actualizarse a los procesadores de doble núcleo Intel Xeon serie 5100 y a los procesadores de cuatro núcleos Intel Xeon serie 5300.
- Si la parte frontal del chasis del sistema contiene la identificación “III”, significa que el sistema puede actualizarse a los procesadores de doble núcleo Intel Xeon serie 5100 y 5200 y a los procesadores de cuatro núcleos Intel Xeon serie 5300 y 5400.

En support.dell.com encontrará información sobre las opciones de actualización de procesadores más recientes correspondientes a su sistema.

Sustitución de la placa base: Protección de los datos cifrados

En los sistemas PowerEdge 2900 III que utilizan Windows Server® 2008, puede utilizar programas de cifrado, como la utilidad BitLocker, para proteger el contenido de la unidad de disco duro.

Si utiliza el TPM con un programa de cifrado, se le solicitará que cree una clave de recuperación durante la configuración del sistema. No olvide guardar esta clave de recuperación. Si sustituye la placa base, deberá proporcionar esta clave de recuperación al reiniciar el sistema para poder acceder a los archivos cifrados de las unidades de disco duro.

Actualización de los mensajes del sistema

En la tabla 1-1 se enumeran los nuevos mensajes del sistema para el sistema PowerEdge 2900 III, así como la causa probable y la acción correctiva que se debe llevar a cabo cuando aparece dicho mensaje.


 **PRECAUCIÓN:** Los técnicos de servicio especializados son las únicas personas autorizadas para retirar las cubiertas y acceder a los componentes internos del sistema. Consulte la *Guía de información del producto* para obtener información completa sobre las precauciones de seguridad, la manipulación de las piezas internas del ordenador y la protección contra descargas electrostáticas.

Tabla 1-1. Mensajes del sistema

Mensaje	Causas	Acciones correctivas
Alert! Node Interleaving disabled! Memory configuration does not support Node Interleaving.	La configuración de la memoria no admite el intercalado de nodos, o bien la configuración ha cambiado (por ejemplo, un error de DIMM) y ahora no se admite el intercalado de nodos. El sistema se ejecuta, pero con funcionalidad reducida.	Asegúrese de que los módulos de memoria están instalados en una configuración que admite el intercalado de nodos. Compruebe si hay otros mensajes del sistema para obtener información adicional sobre las posibles causas. Para obtener información sobre la configuración de la memoria, consulte “Pautas generales para la instalación de módulos de memoria” en el <i>Manual del propietario del hardware</i> . Si el problema persiste, consulte “Solución de problemas de la memoria del sistema” en el <i>Manual del propietario del hardware</i> .

Tabla 1-1. Mensajes del sistema (continuación)

Mensaje	Causas	Acciones correctivas
!!*** Error: Remote Access Controller initialization failure *** RAC virtual USB devices may not be available...	Error de inicialización de la controladora de acceso remoto.	Asegúrese de que la controladora de acceso remoto está instalada correctamente. Consulte “Instalación de una tarjeta RAC” en el <i>Manual del propietario del hardware</i> .
Invalid PCIe card found in the Internal_Storage slot!	El sistema se ha detenido porque se ha instalado una tarjeta de expansión PCIe no válida en la ranura dedicada para la controladora de almacenamiento.	Extraiga la tarjeta de expansión PCIe e instale la controladora SAS interna en la ranura dedicada.
No boot device available	Falta un subsistema de unidad óptica, una unidad de disco duro o un subsistema de unidad de disco duro, o son defectuosos, o bien no se ha instalado ninguna memoria USB de inicio.	Utilice una memoria USB, un CD o una unidad de disco duro de inicio. Consulte “Uso del programa de configuración del sistema” en el <i>Manual del propietario del hardware</i> para obtener información sobre cómo establecer el orden de los dispositivos de inicio.
PCI BIOS failed to install	Se ha detectado un error de suma de comprobación del BIOS (ROM opcional) de un dispositivo PCIe durante la duplicación. Hay cables sueltos en las tarjetas de expansión, o éstas son defectuosas o se han instalado incorrectamente.	Recoloque las tarjetas de expansión. Asegúrese de que todos los cables pertinentes están conectados firmemente a las tarjetas de expansión. Si el problema persiste, consulte “Solución de problemas de tarjetas de expansión” en el <i>Manual del propietario del hardware</i> .

Tabla 1-1. Mensajes del sistema (continuación)

Mensaje	Causas	Acciones correctivas
PCIe Degraded Link Width Error: Embedded dispositivo Expected Link Width is <i>n</i> Actual Link Width is <i>n</i>	La placa base o la tarjeta vertical son defectuosas.	Consulte “Obtención de ayuda” en el <i>Manual del propietario del hardware</i> .
PCIe Degraded Link Width Error: Integrated dispositivo Expected Link Width is <i>n</i> Actual Link Width is <i>n</i>	El dispositivo PCIe especificado es defectuoso o se ha instalado incorrectamente.	En el caso de una tarjeta controladora secundaria SAS, recolocque la tarjeta en el conector PCIe dedicado. Consulte “Instalación de una tarjeta controladora secundaria SAS” en el <i>Manual del propietario del hardware</i> . Si el problema persiste, consulte “Obtención de ayuda” en el <i>Manual del propietario del hardware</i> .
PCIe Degraded Link Width Error: Slot <i>n</i> Expected Link Width is <i>n</i> Actual Link Width is <i>n</i>	La tarjeta PCIe es defectuosa o se ha instalado incorrectamente en la ranura especificada.	Recolocque la tarjeta PCIe en el número de ranura especificado. Consulte “Tarjetas de expansión” en el <i>Manual del propietario del hardware</i> . Si el problema persiste, consulte “Obtención de ayuda” en el <i>Manual del propietario del hardware</i> .
PCIe Training Error: Embedded dispositivo	La placa base o la tarjeta vertical son defectuosas.	Consulte “Obtención de ayuda” en el <i>Manual del propietario del hardware</i> .

Tabla 1-1. Mensajes del sistema (continuación)

Mensaje	Causas	Acciones correctivas
PCIe Training Error: Integrated dispositivo	El dispositivo PCIe especificado es defectuoso o se ha instalado incorrectamente.	En el caso de una tarjeta controladora secundaria SAS, recoloque la tarjeta en el conector PCIe dedicado. Consulte “Instalación de una tarjeta controladora secundaria SAS” en el <i>Manual del propietario del hardware</i> . Si el problema persiste, consulte “Obtención de ayuda” en el <i>Manual del propietario del hardware</i> .
PCIe Training Error: Slot n	La tarjeta PCIe es defectuosa o se ha instalado incorrectamente en la ranura especificada.	Recoloque la tarjeta PCIe en el número de ranura especificado. Consulte “Tarjetas de expansión” en el <i>Manual del propietario del hardware</i> . Si el problema persiste, consulte “Obtención de ayuda” en el <i>Manual del propietario del hardware</i> .
Remote Access Controller cable error or incorrect card in the RAC slot.	Los cables de la RAC no están conectados, o bien se ha instalado la tarjeta RAC en una ranura de expansión incorrecta.	Compruebe que los cables de la RAC están conectados y que la tarjeta RAC está instalada en la ranura de expansión correcta. Consulte “Instalación de una tarjeta RAC” en el <i>Manual del propietario del hardware</i> .

NOTA: Todos los mensajes de información del TPM aparecen después de que se haya cargado la ROM opcional de la BMC durante la POST.

Tabla 1-1. Mensajes del sistema (continuación)

Mensaje	Causas	Acciones correctivas
TPM configuration operation honored.	El sistema se restablecerá ahora.	Mensaje meramente informativo.
TPM Failure	Se ha producido un error en una función del módulo de plataforma segura (TPM).	Consulte “Obtención de ayuda” en el <i>Manual del propietario del hardware</i> .
TPM operation is pending. Press I to Ignore or M to Modify to allow this change and reset the system. WARNING: Modifying could prevent security.	Se ha solicitado un cambio de configuración.	Pulse I para continuar con el inicio del sistema. Pulse M para modificar la configuración del TPM y reiniciar.
Warning: Following faulty DIMMs are disabled:	Los módulos de memoria son defectuosos o se han insertado incorrectamente.	Consulte “Solución de problemas de la memoria del sistema” en el <i>Manual del propietario del hardware</i> .
DIMM n_1 n_2	Los módulos DIMM se han deshabilitado por pares, tal como indican n_1 y n_2 .	
Total memory size is reduced.	Compruebe los dos módulos DIMM para ver si hay un fallo.	
Warning: A fatal error has caused system reset! Please check the system event log!	Se ha producido un error grave en el sistema que ha provocado su reinicio.	Compruebe el registro de eventos del sistema (SEL) para ver la información registrada durante el error. Consulte “Solución de problemas del sistema” en el <i>Manual del propietario del hardware</i> y localice los apartados correspondientes a los componentes defectuosos especificados en el SEL.

Tabla 1-1. Mensajes del sistema (continuación)

Mensaje	Causas	Acciones correctivas
Warning! No micro code update loaded for processor n	La actualización del microcódigo ha fallado.	Actualice el firmware del BIOS. Consulte “Obtención de ayuda” en el <i>Manual del propietario del hardware</i> .
Warning: The installed memory configuration is not optimal. For more information on valid memory configurations, please see the system documentation on the technical support web site.	La configuración de la memoria no es válida. El sistema se ejecuta, pero con funcionalidad reducida.	Asegúrese de que los módulos de memoria están instalados en una configuración válida. Consulte “Pautas generales para la instalación de módulos de memoria” en el <i>Manual del propietario del hardware</i> . Si el problema persiste, consulte “Solución de problemas de la memoria del sistema” en el <i>Manual del propietario del hardware</i> .
Write fault Write fault on selected drive	El dispositivo USB, el medio USB, el conjunto de unidad óptica, la unidad de disco duro o el subsistema de unidad de disco duro son defectuosos.	Sustituya el medio defectuoso. Recoloque el dispositivo USB o el cable USB. Si se producen problemas con la unidad de disco duro, consulte “Solución de problemas de una unidad de disco duro” en el <i>Manual del propietario del hardware</i> .

Actualización de los mensajes de estado de la pantalla LCD

En la tabla 1-2 se enumeran las actualizaciones de los mensajes de estado de la pantalla LCD que pueden producirse en el sistema PowerEdge 2900 III y el posible origen de cada mensaje. Los mensajes de la pantalla LCD se refieren a los eventos guardados en el registro de eventos del sistema (SEL). Para obtener información sobre el SEL y la configuración de las opciones de administración del sistema, consulte la documentación del software de administración de sistemas.

Tabla 1-2. Mensajes de estado de la pantalla LCD

Código	Texto	Causas	Acciones correctivas
<i>N/D</i>	<i>SYSTEM NAME</i>	<p><i>Cadena de 62 caracteres que el usuario puede definir en el programa de configuración del sistema.</i></p> <p><i>SYSTEM NAME</i> aparece en las situaciones siguientes:</p> <ul style="list-style-type: none"> • El sistema está encendido. • La alimentación está desconectada y se muestran errores activos. 	<p>Este mensaje es meramente informativo.</p> <p>Puede modificar la ID y el nombre del sistema en el programa de configuración del sistema. Consulte “Uso del programa de configuración del sistema” en el <i>Manual del propietario del hardware</i>.</p>
E1000	FAILSAFE, Call Support	Compruebe si se han producido errores graves en el registro de eventos del sistema.	Consulte “Obtención de ayuda” en el <i>Manual del propietario del hardware</i> .
E1118	CPU Temp Interface	La BMC no puede determinar el estado de la temperatura de las CPU. Por lo tanto, la BMC aumenta la velocidad del ventilador de la CPU al máximo como medida cautelar.	Apague y reinicie el sistema. Si el problema persiste, consulte “Obtención de ayuda” en el <i>Manual del propietario del hardware</i> .

Tabla 1-2. Mensajes de estado de la pantalla LCD (continuación)

Código	Texto	Causas	Acciones correctivas
E1211	ROMB Batt	Falta la batería RAID, está dañada o no puede recargarse debido a problemas térmicos.	Recoloque el conector de la batería RAID. Consulte “Batería RAID” y “Solución de problemas de refrigeración del sistema” en el <i>Manual del propietario del hardware</i> .
E1625	PS AC Current	La fuente de energía se encuentra fuera del intervalo aceptable.	Compruebe la fuente de energía de CA.
E1711	PCI PERR B## D## F##	El BIOS del sistema ha notificado un error de paridad PCI en un componente que se encuentra en el espacio de configuración PCI ## en el bus ##, dispositivo y función ## especificados.	Extraiga y recoloque las tarjetas de expansión PCIe. Si el problema persiste, consulte “Solución de problemas de una tarjeta de expansión” en el <i>Manual del propietario del hardware</i> .
	PCI PERR Slot #	El BIOS del sistema ha notificado un error de paridad PCI en un componente que se encuentra en la ranura PCIe especificada.	Vuelva a instalar la tarjeta vertical de expansión. Consulte “Tarjetas verticales de expansión” en el <i>Manual del propietario del hardware</i> . Si el problema persiste, la tarjeta vertical o la placa base son defectuosas. Consulte “Obtención de ayuda” en el <i>Manual del propietario del hardware</i> .

Tabla 1-2. Mensajes de estado de la pantalla LCD (continuación)

Código	Texto	Causas	Acciones correctivas
E1712	PCI SERR B## D## F##	El BIOS del sistema ha notificado un error del sistema PCI en un componente que se encuentra en el espacio de configuración PCI ## en el bus ##, dispositivo y función ## especificados.	Extraiga y recoloque las tarjetas de expansión PCIe. Si el problema persiste, consulte “Solución de problemas de tarjetas de expansión” en el <i>Manual del propietario del hardware</i> .
	PCI SERR Slot #	El BIOS del sistema ha notificado un error del sistema PCI en un componente que se encuentra en la ranura especificada.	Vuelva a instalar la tarjeta vertical de expansión. Consulte “Tarjetas verticales de expansión” en el <i>Manual del propietario del hardware</i> . Si el problema persiste, la tarjeta vertical o la placa base son defectuosas. Consulte “Obtención de ayuda” en el <i>Manual del propietario del hardware</i> .

Tabla 1-2. Mensajes de estado de la pantalla LCD (continuación)

Código	Texto	Causas	Acciones correctivas
E171F	PCIE Fatal Err B## D## F##	El BIOS del sistema ha notificado un error grave PCIe en un componente que se encuentra en el espacio de configuración PCIe en el bus ##, dispositivo ## y función ## especificados.	Extraiga y recoloque las tarjetas de expansión PCIe. Si el problema persiste, consulte “Solución de problemas de tarjetas de expansión” en el <i>Manual del propietario del hardware</i> .
	PCIE Fatal Err Slot #	El BIOS del sistema ha notificado un error grave PCIe en un componente que se encuentra en la ranura especificada.	Vuelva a instalar la tarjeta vertical de expansión. Consulte “Tarjetas verticales de expansión” en el <i>Manual del propietario del hardware</i> . Si el problema persiste, la tarjeta vertical o la placa base son defectuosas. Consulte “Obtención de ayuda” en el <i>Manual del propietario del hardware</i> .
E1914	DRAC5 Conn2 Cb1	Falta el cable DRAC 5 o está desconectado.	Vuelva a conectar el cable. Consulte “Instalación de una tarjeta RAC” en el <i>Manual del propietario del hardware</i> .
E1B01	USB# Overcurrent	El dispositivo conectado al puerto USB especificado ha provocado una sobrecorriente.	Recoloque el cable del dispositivo. Si el problema persiste, sustituya o extraiga el dispositivo.

Tabla 1-2. Mensajes de estado de la pantalla LCD (continuación)

Código	Texto	Causas	Acciones correctivas
E2110	MBE DIMM # & #	Se ha producido un error de varios bits (MBE) de memoria en uno de los dos módulos DIMM indicados.	Consulte “Solución de problemas de la memoria del sistema” en el <i>Manual del propietario del hardware</i> .
E2111	SBE Log Disable DIMM #	El BIOS del sistema ha deshabilitado el registro de errores de un solo bit (SBE) de la memoria y no reanudará este registro hasta que se reinicie el sistema. “#” representa el módulo DIMM denotado por el BIOS.	Consulte “Solución de problemas de la memoria del sistema” en el <i>Manual del propietario del hardware</i> .
E2112	Mem Spare DIMM #	El BIOS del sistema ha sustituido la memoria ya que ha determinado que tenía demasiados errores. “# & #” representa el par de DIMM denotado por el BIOS.	Consulte “Solución de problemas de la memoria del sistema” en el <i>Manual del propietario del hardware</i> .
I1915	Video Off (La pantalla LCD se ilumina con una luz de fondo azul o ámbar.)	El usuario remoto de la RAC ha apagado el vídeo.	Mensaje meramente informativo.
I1916	Video Off in ## (La pantalla LCD se ilumina con una luz de fondo azul o ámbar.)	El usuario remoto de la RAC ha apagado el vídeo tras xx segundos.	Mensaje meramente informativo.



NOTA: Se asigna una prioridad a cada mensaje de la pantalla LCD de diagnóstico. Los mensajes de máxima prioridad sustituyen al grupo de mensajes con una prioridad inferior.

Actualización del programa de configuración del sistema

Pantalla Memory

En la tabla 1-3 se muestran las descripciones de los campos de información que aparecen en la pantalla **Memory Information** (Información de la memoria).

Tabla 1-3. Opciones de la pantalla de información de la memoria

Opción	Descripción
System Memory Size	Muestra el tamaño de la memoria del sistema.
System Memory Type	Muestra el tipo de memoria del sistema.
System Memory Speed	Muestra la velocidad de la memoria del sistema.
Video Memory	Muestra el tamaño de la memoria de vídeo.
System Memory Testing	Especifica si se ejecutan las pruebas de memoria del sistema al iniciar el sistema. Las opciones son Enabled (Habilitada) y Disabled (Deshabilitada).
Redundant Memory (valor predeterminado: Disabled)	Habilita o deshabilita la función de memoria redundante. Si se establece en Spare Mode (Modo de repuesto), se reserva el primer rango de memoria de cada módulo DIMM para la sustitución de memoria. Si el campo Node Interleaving (Intercalado de nodos) está habilitado, la función de memoria redundante estará deshabilitada.
Node Interleaving (valor predeterminado: Disabled)	Si el valor de este campo es Enabled (Habilitado), se admite el intercalado de memoria en caso de que haya instalada una configuración de memoria simétrica. Si el valor de este campo es Disabled (Deshabilitado), el sistema puede admitir las configuraciones de memoria NUMA (arquitectura de memoria no uniforme) (asimétrica). NOTA: El campo Node Interleaving (Intercalado de nodos) debe establecerse en Disabled (Deshabilitado) cuando se utiliza la función de memoria redundante.

Tabla 1-3. Opciones de la pantalla de información de la memoria (continuación)

Opción	Descripción
Low Power Mode (valor predeterminado: Disabled)	Habilita o deshabilita el modo de bajo consumo de la memoria. Si se establece en Disabled (Deshabilitado), la memoria funciona a velocidad completa. Si se establece en Enabled (Habilitado), la memoria funciona a una velocidad reducida para ahorrar energía.

Pantalla CPU Information

En la tabla 1-4 se actualiza la descripción de la opción de administración de energía basada en la demanda.

Tabla 1-4. Pantalla de información de la CPU

Opción	Descripción
Demand-Based Power Management (valor predeterminado: Enabled)	NOTA: Consulte la documentación del sistema operativo para verificar si admite esta función. Habilita o deshabilita la administración de energía basada en la demanda. Si esta opción está habilitada, las tablas de estado del rendimiento de la CPU se notifican al sistema operativo; si está deshabilitada, las tablas de estado del rendimiento de la CPU no se notifican al sistema operativo. Si ninguna de las CPU admite la administración de energía basada en la demanda, el campo pasa a ser de sólo lectura y se establece automáticamente en Disabled (Deshabilitada).

Pantalla Integrated Devices

En la tabla 1-5 se enumeran las nuevas opciones de la pantalla **Integrated Devices** (Dispositivos integrados).

Tabla 1-5. Opciones de la pantalla de dispositivos integrados

Opción	Descripción
Internal USB Port (valor predeterminado: On)	Habilita o deshabilita el puerto USB interno del sistema.
OS Watchdog Timer (valor predeterminado: Disabled)	NOTA: Esta función sólo se puede utilizar con sistemas operativos compatibles con implementaciones WDAT de la especificación 3.0b de la interfaz avanzada de configuración y energía (ACPI). Microsoft® Windows Server® 2008 admite esta función, pero Windows Server 2003 no. Establece un temporizador que supervisa la actividad del sistema operativo y permite la recuperación si el sistema no responde. Si se define este campo como Enabled (Habilitado), se permite que el sistema operativo inicialice el temporizador. Si se define como Disabled (Deshabilitado), no se inicializa el temporizador.
I/OAT DMA Engine (valor predeterminado: Disabled)	Habilita o deshabilita la tecnología de aceleración de E/S (I/OAT). Si se establece en Enabled (Habilitada), I/OAT reduce la utilización de la CPU del sistema para aplicaciones que utilizan TCP mediante la descarga de parte de la operación de recepción de TCP en el motor DMA.
System Interrupts Assignment (valor predeterminado: Standard)	Este campo controla la asignación de interrupciones de los dispositivos PCI del sistema. Cuando el valor es Distributed (Distribuido), se conmuta el enrutamiento de interrupciones para minimizar el uso compartido de IRQ entre dispositivos.

Pantalla System Security

En la tabla 1-6 se muestran las nuevas opciones del sistema PowerEdge 2900 III.



NOTA: Los sistemas comercializados en China no están equipados con TPM.




AVISO: Antes de habilitar la opción **TPM Security** (Seguridad del TPM), compruebe que el sistema operativo sea compatible con el TPM.

Tabla 1-6. Nuevas opciones de la pantalla de seguridad del sistema

Opción	Descripción
TPM Security (valor predeterminado: Off)	<p>Define las notificaciones del módulo de plataforma segura (TPM) en el sistema.</p> <p>Si se establece en Off (Desactivar) (valor predeterminado), no se notifica la presencia del TPM al sistema operativo.</p> <p>Si se establece en On with Pre-boot Measurements (Activar con medidas de preinicio), el sistema notifica la presencia del TPM al sistema operativo y almacena las medidas de preinicio (que cumplen los estándares de Trusted Computing Group) en el TPM durante la POST.</p> <p>Si se establece en On without Pre-boot Measurements (Activar sin medidas de preinicio), el sistema notifica la presencia del TPM al sistema operativo e ignora las medidas de preinicio.</p>
TPM Activation	<p>Cambia el estado operativo del TPM.</p> <p>Si se establece en Activate (Activar), el TPM se habilita y activa con la configuración predeterminada.</p> <p>Si se establece en Deactivate (Desactivar), el TPM se deshabilita.</p> <p>El estado No Change (Sin cambios) no inicia ninguna acción. No se modifica el estado operativo del TPM (se conserva toda la configuración de usuario del TPM).</p> <p>NOTA: Este campo es de sólo lectura si la opción TPM Security (Seguridad del TPM) se establece en Off (Desactivar).</p>

Tabla 1-6. Nuevas opciones de la pantalla de seguridad del sistema (continuación)

Opción	Descripción
TPM Clear (valor predeterminado: No)	 AVISO: Si se borra el TPM, se pierden todas las claves de cifrado del TPM. De este modo, se impide que se inicie desde el sistema operativo y se pierden los datos si no es posible restablecer las claves de cifrado. Realice una copia de seguridad de las claves del TPM antes de habilitar esta opción. Si se establece en Yes (Sí) , se borra todo el contenido del TPM. NOTA: Este campo es de sólo lectura si la opción TPM Security (Seguridad del TPM) se establece en Off (Desactivar) .

Pantalla Serial Communication

En la tabla 1-7 se muestra información actualizada sobre la velocidad predeterminada en baudios a prueba de fallos.

Tabla 1-7. Opción de la pantalla de comunicación serie

Opción	Descripción
Failsafe Baud Rate (valor predeterminado: 115200)	Muestra la velocidad en baudios a prueba de fallos utilizada para la redirección de consola cuando la velocidad en baudios no puede negociarse automáticamente con el terminal remoto. Esta velocidad no debe ajustarse.

Información sobre el sistema operativo

Enumeración de NIC

Las versiones del sistema operativo Linux que utilizan el administrador de dispositivos kernel `udev` enumeran las NIC de forma distinta a las versiones anteriores de Linux, que utilizaban el administrador de dispositivos `devfs`. Aunque esto no afecta al funcionamiento del sistema, al utilizar los sistemas operativos Red Hat® Enterprise Linux® (versión 4 o 5) o SUSE® Linux Enterprise Server 9 o 10, las NIC se enumeran en orden inverso: la NIC1 se configura como `eth1` en lugar de `eth0`, y la NIC2 se configura como `eth0` en lugar de `eth1`. Para obtener información sobre cómo cambiar las enumeraciones predeterminadas de los dispositivos, consulte el documento técnico “Network Interface Card Naming” (Asignación de nombres a tarjetas de interfaz de red) disponible en linux.dell.com.

Compatibilidad con unidades ópticas SATA en RHEL 3 y SLES 9

RHEL 3 actualización 8 y SLES 9 SP4 son compatibles con las unidades ópticas SATA. Las versiones anteriores de estos sistemas operativos no admiten unidades ópticas SATA.

RHEL: Información incorrecta del procesador

- Si hay instalado un procesador Intel Xeon 54xx en un sistema que ejecuta la versión 4 y actualización 5 de RHEL y en el BIOS está habilitado Demand-Based Switching (Conmutación basada en la demanda), `cat/proc/cpuinfo` y `cat/sys/devices/system/cpu/cpuxx/cpufreq/scaling_cur_freq` muestran una frecuencia del procesador incorrecta. La velocidad real del procesador no se ve afectada.
- Si hay instalado un procesador Intel Xeon 54xx en un sistema que ejecuta la versión 3 y actualización 9 de RHEL, en `/proc/cpuinfo` se muestra información incorrecta sobre el procesador. La velocidad real del procesador no se ve afectada.

Este comportamiento se corregirá en una próxima actualización de RHEL 4.

Compatibilidad del sistema con Microsoft Windows 2000

Si ejecuta *System Build and Update Utility* (Utilidad de creación y actualización de sistemas), Microsoft® Windows® 2000 se incluye en la lista de sistemas operativos de la ficha **Server OS Install** (Instalación del sistema operativo del servidor). Este sistema operativo es compatible con los sistemas PowerEdge 2900 y 2900 II, pero no con el sistema PowerEdge 2900 III.

Actualizaciones del *Manual del propietario del hardware*

Instalación del procesador

Al instalar el procesador, debe cerrarse el protector del procesador antes de fijar el procesador con la palanca de liberación del zócalo.

Opciones de prueba personalizada de los diagnósticos del sistema

En la ventana **Customize** (Personalizar) de los diagnósticos del sistema, la opción **Log output file pathname** (Ruta del archivo de salida de registro) permite especificar la unidad de disquete o la memoria USB en la que se guarda el archivo de registro de la prueba. No se puede guardar el archivo de registro en una unidad de disco duro.

Actualización de la sustitución de la placa base (procedimiento exclusivo para el servicio técnico)



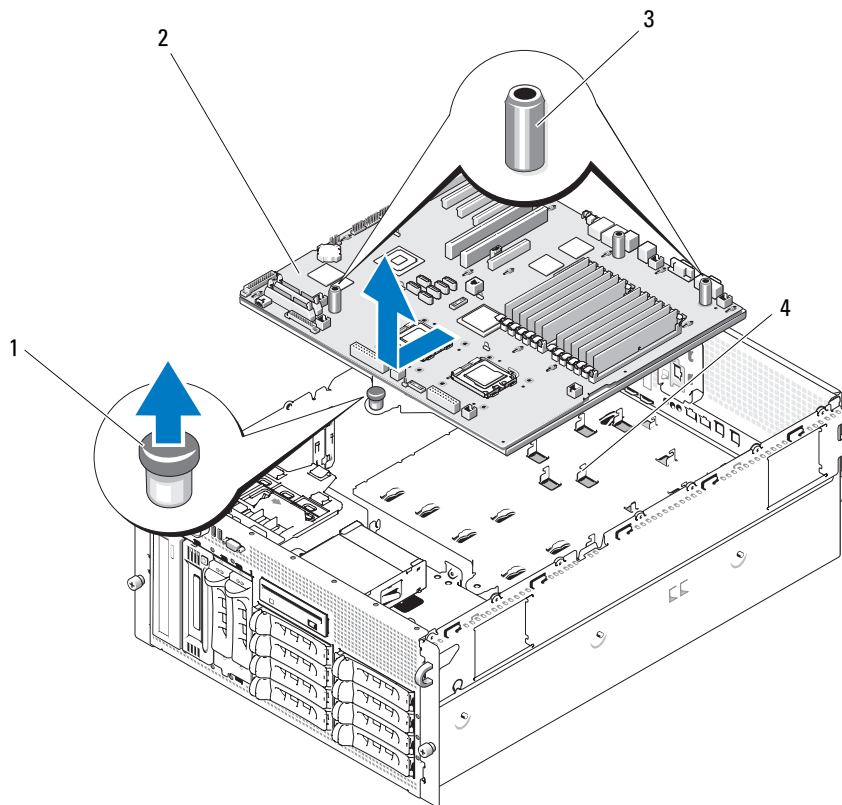
PRECAUCIÓN: Los técnicos de servicio especializados son las únicas personas autorizadas para retirar las cubiertas y acceder a los componentes internos del sistema. Consulte la *Guía de información del producto* para obtener información completa sobre las precauciones de seguridad, la manipulación de las piezas internas del ordenador y la protección contra descargas electrostáticas.

El procedimiento que aparece en el *Manual del propietario del hardware* para sustituir la placa base se ha actualizado. Cuando extraiga o instale la placa base, levántela o sujétela por el perno de retención y las asas (vea la ilustración 1-3).



AVISO: Para evitar daños en la placa base, no la levante por los soportes de retención del módulo de memoria ni por ningún otro componente excepto las asas.

Ilustración 1-3. Extracción de la placa base



- 1 Perno de retención
- 2 Placa base
- 3 Asas de la placa base (2)
- 4 Ganchos del chasis